



VLSI Design



Introduction

Outline

- Introduction
- Silicon, pn-junctions and transistors
- A Brief History
- Operation of MOS Transistors
- CMOS circuits
- Fabrication steps for CMOS circuits

Introduction

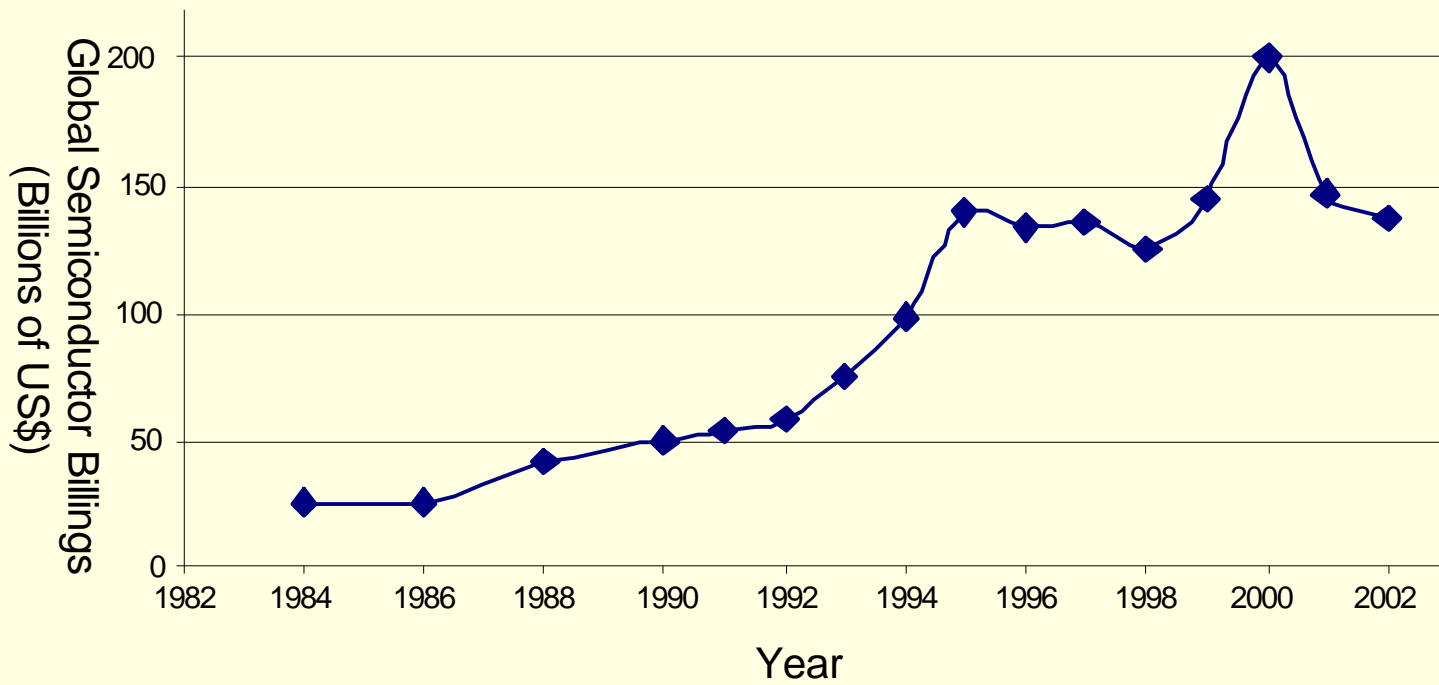
- Integrated circuits: many transistors on one chip.
- *Very Large Scale Integration (VLSI)*
- *Complementary Metal Oxide Semiconductor (CMOS)*
 - Fast, cheap, “low-power” transistors circuits

WHY VLSI DESIGN?

Money, technology, civilization

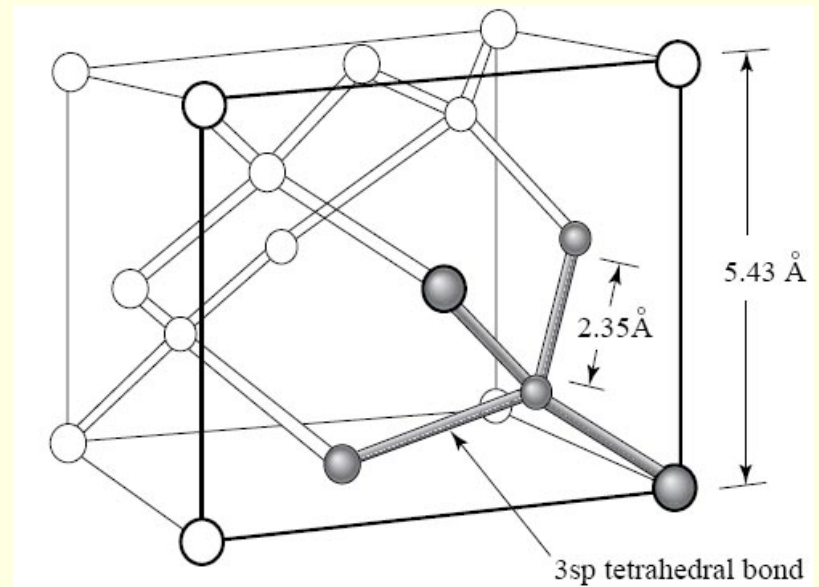
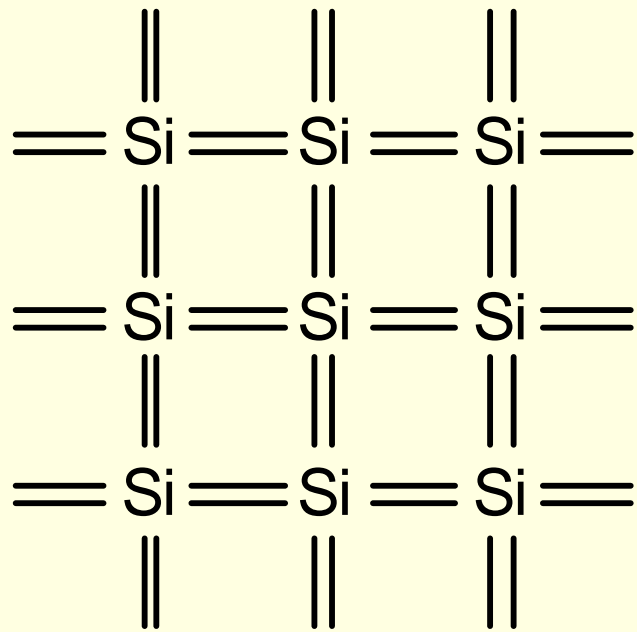
Annual Sales

- 10^{18} transistors manufactured in 2003
 - 100 million for every human on the planet



Digression: Silicon Semiconductors

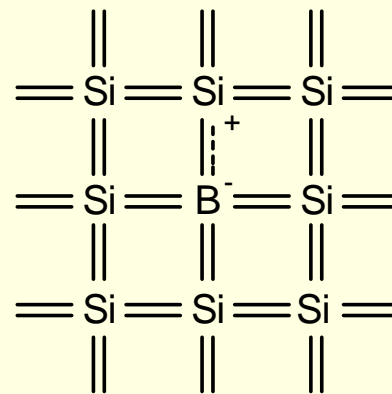
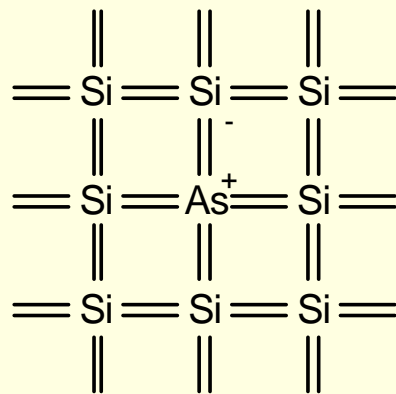
- Modern electronic chips are built mostly on silicon substrates
- Silicon is a Group IV semiconducting material
- crystal lattice: covalent bonds hold each atom to four neighbors



<http://onlineheavytheory.net/silicon.html>

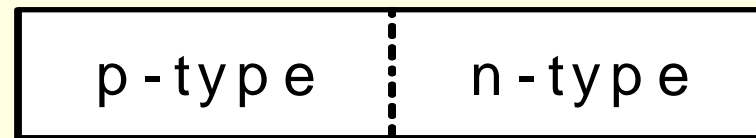
Dopants

- Silicon is a semiconductor at room temperature
- Pure silicon has few free carriers and conducts poorly
- Adding dopants increases the conductivity drastically
- Dopant from Group V (e.g. As, P): extra electron (n-type)
- Dopant from Group III (e.g. B, Al): missing electron, called hole (p-type)



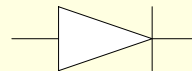
p-n Junctions

- First semiconductor (two terminal) devices
- A junction between p-type and n-type semiconductor forms a diode.
- Current flows only in one direction



a n o d e

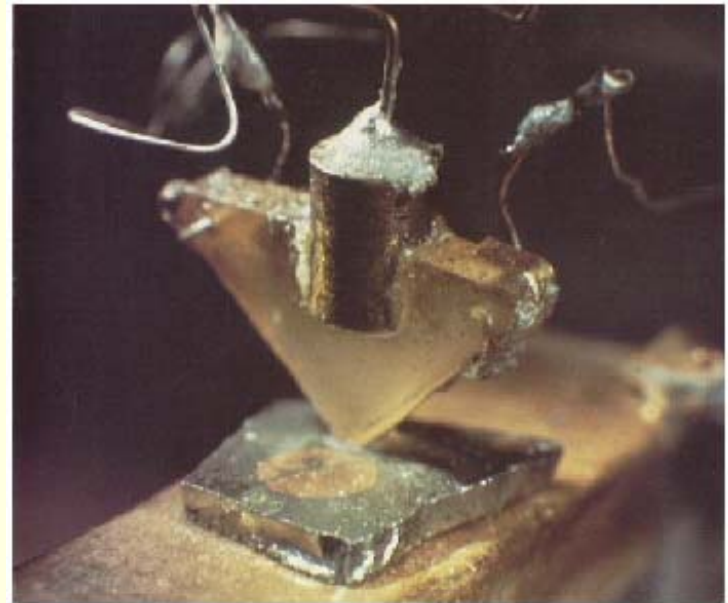
c a t h o d e



A Brief History

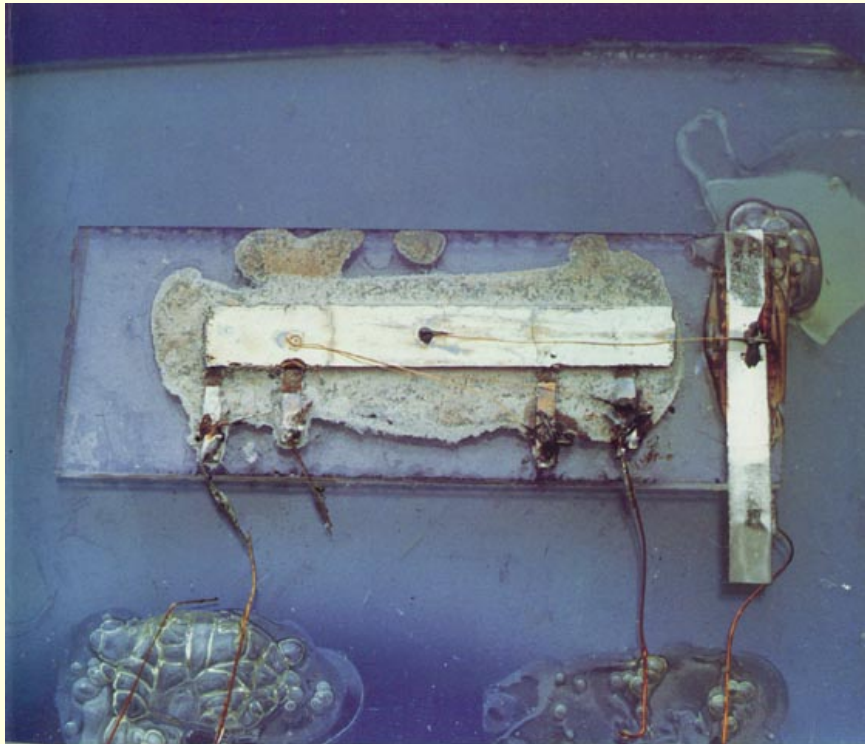
Invention of the Transistor

- Vacuum tubes ruled in first half of 20th century Large, expensive, power-hungry, unreliable
- 1947: first point contact transistor (3 terminal devices)
 - Shockley, Bardeen and Brattain at Bell Labs



A Brief History, contd..

- ❑ 1958: First integrated circuit
 - Flip-flop using two transistors
 - Built by Jack Kilby (Nobel Laureate) at Texas Instruments
 - Robert Noyce (Fairchild) is also considered as a co-inventor

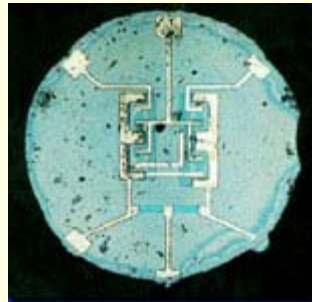


Kilby's IC

smithsonianchips.si.edu/augarten/

A Brief History, contd.

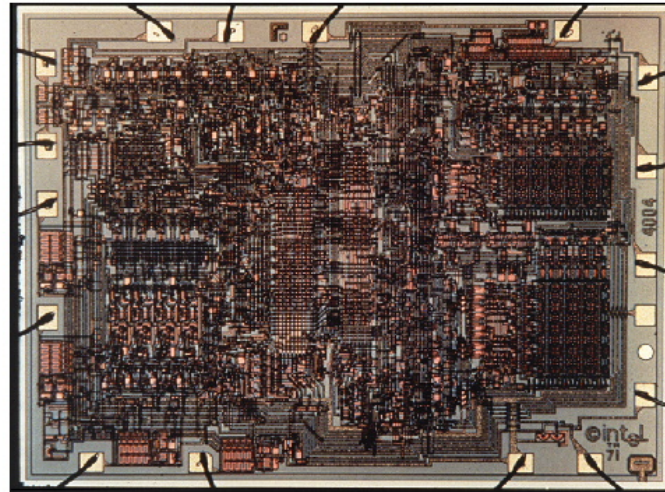
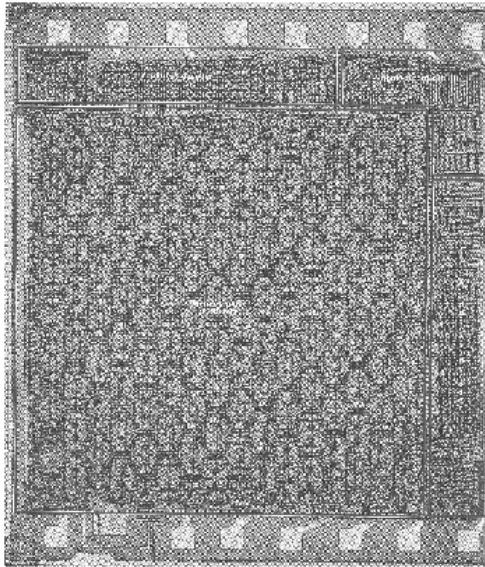
- First Planer IC built in 1961



- 2003
 - Intel Pentium 4 μ processor (55 million transistors)
 - 512 Mbit DRAM (> 0.5 billion transistors)
- 53% compound annual growth rate over 45 years
 - No other technology has grown so fast so long
- Driven by miniaturization of transistors
 - Smaller is cheaper, faster, lower in power!
 - Revolutionary effects on society

MOS Integrated Circuits

- ❑ 1970's processes usually had only nMOS transistors
Inexpensive, but consume power while idle
- ❑ 1980s-present: CMOS processes for low idle power

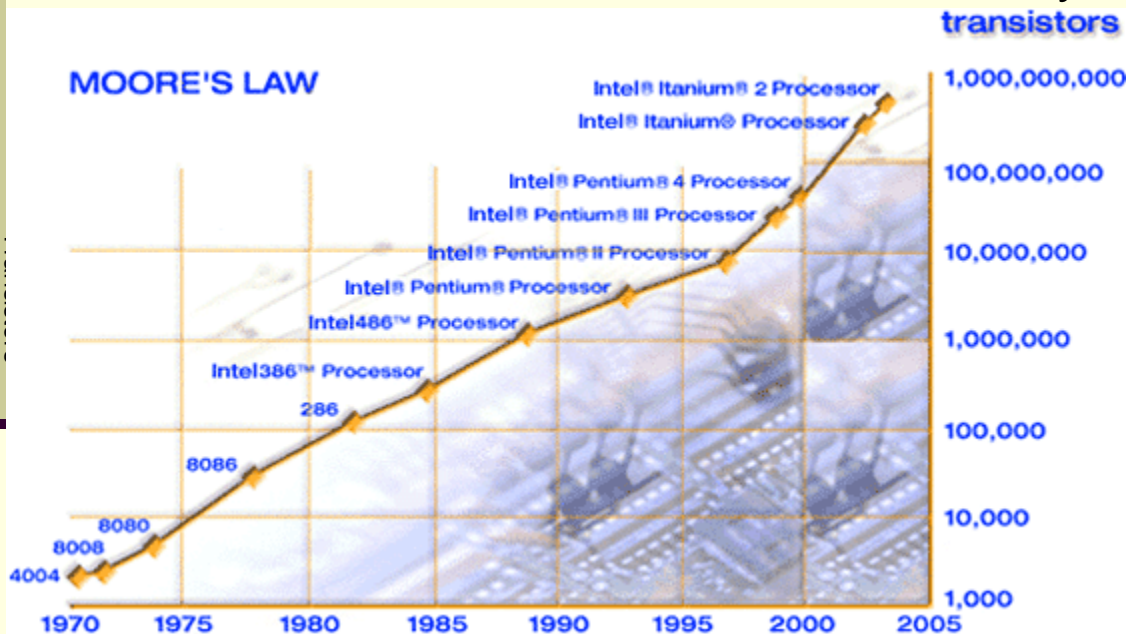


Intel 1101 256-bit SRAM

Intel 4004 4-bit μ Proc

Moore's Law

- 1965: Gordon Moore plotted transistor on each chip
 - Fit straight line on semilog scale
 - Transistor counts have doubled every 26 months



Integration Levels

SSI: 10 gates

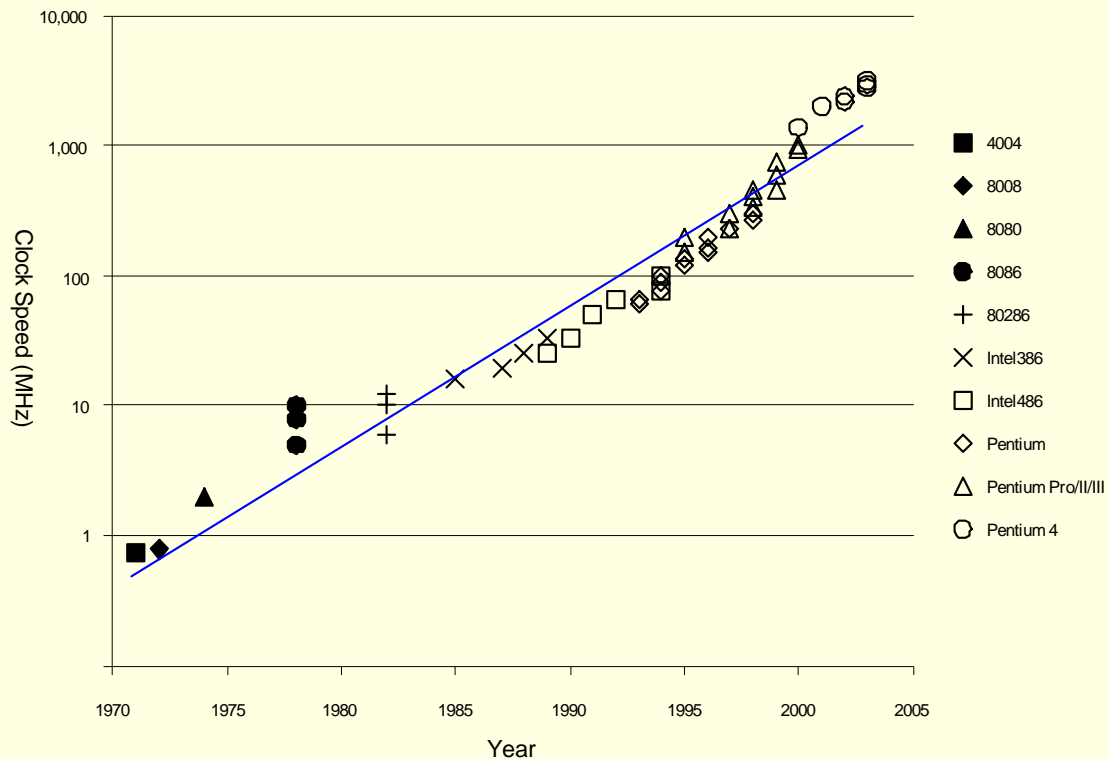
MSI: 1000 gates

LSI: 10,000 gates

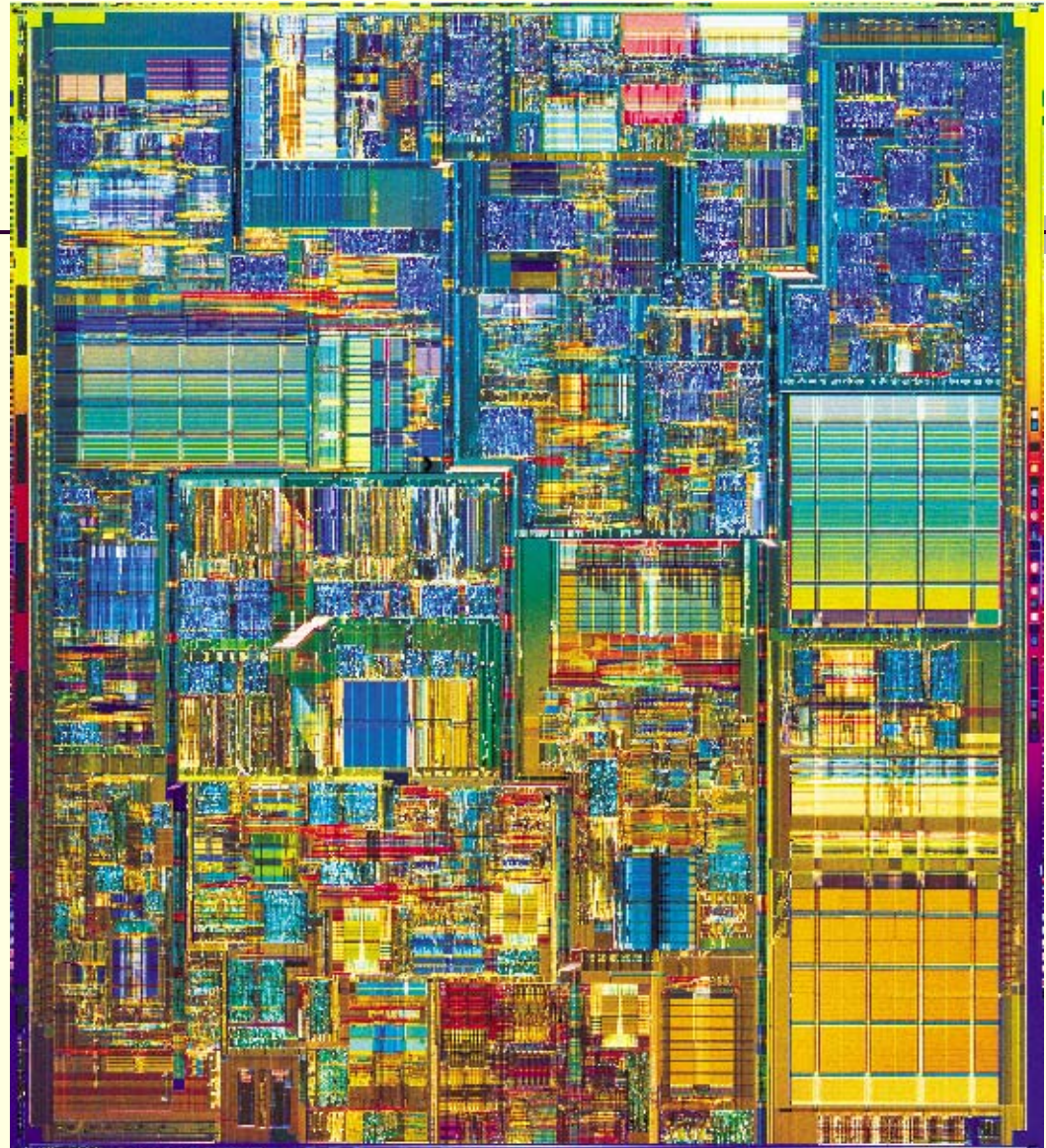
VLSI: > 10k gates

Corollaries

- Many other factors grow exponentially
 - Ex: clock frequency, processor performance

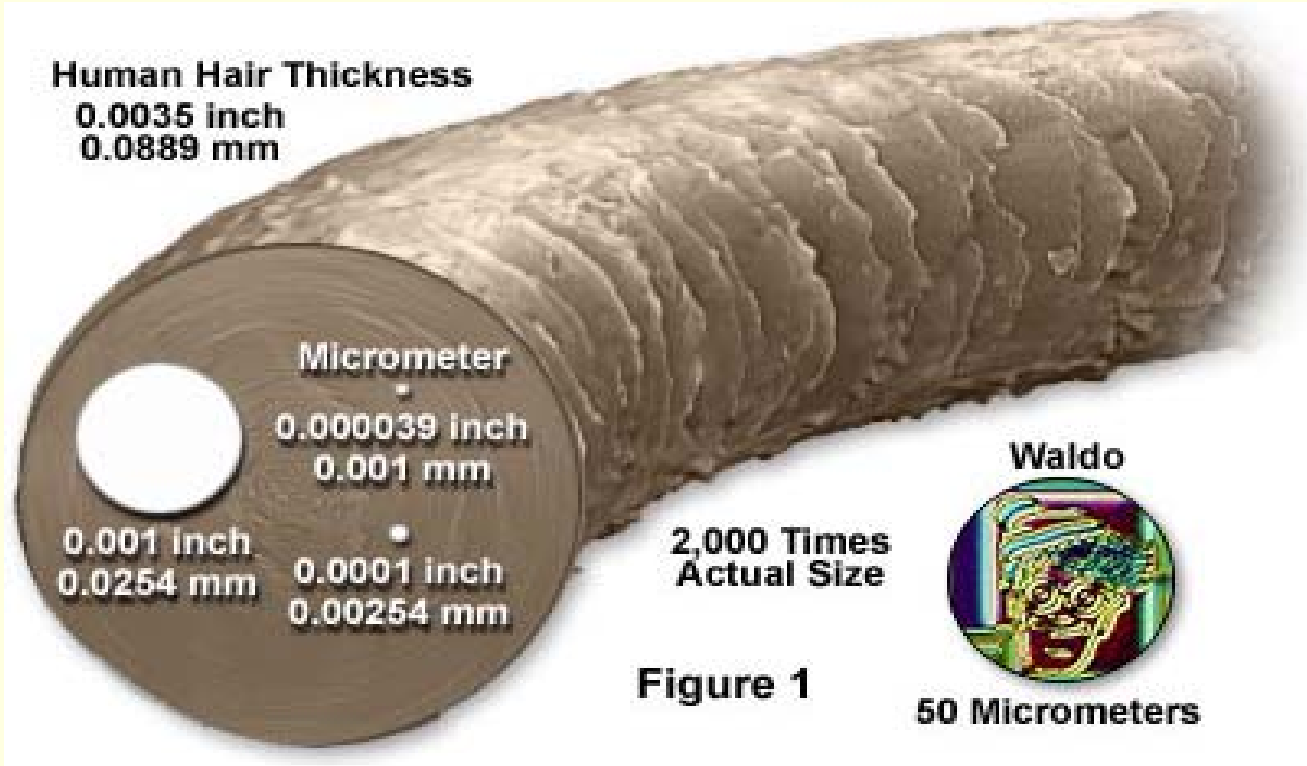


Pentium 4 Processor



http://www.intel.com/intel/intelis/museum/online/hist_micro/hof/index.htm

- Modern transistors are few microns wide and approximately 0.1 micron or less in length
- Human hair is 80-90 microns in diameter

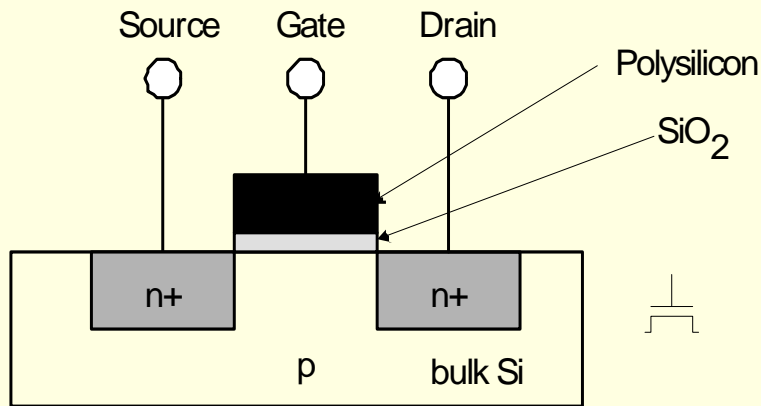


Transistor Types

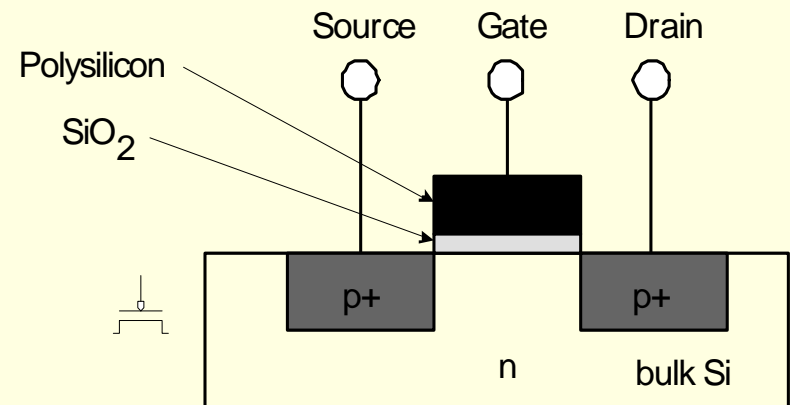
- Bipolar transistors
 - npn or pnp silicon structure
 - Small current into very thin base layer controls large currents between emitter and collector
 - Base currents limit integration density
- Metal Oxide Semiconductor Field Effect Transistors
 - nMOS and pMOS MOSFETS
 - Voltage applied to insulated gate controls current between source and drain
 - Low power allows very high integration
 - First patent in the '20s in USA and Germany
 - Not widely used until the '60s or '70s

MOS Transistors

- Four terminal device: gate, source, drain, body
- Gate – oxide – body stack looks like a capacitor
 - Gate and body are conductors (body is also called the substrate)
 - SiO_2 (oxide) is a “good” insulator (separates the gate from the body)
 - Called metal–oxide–semiconductor (MOS) capacitor, even though gate is mostly made of poly-crystalline silicon (polysilicon)



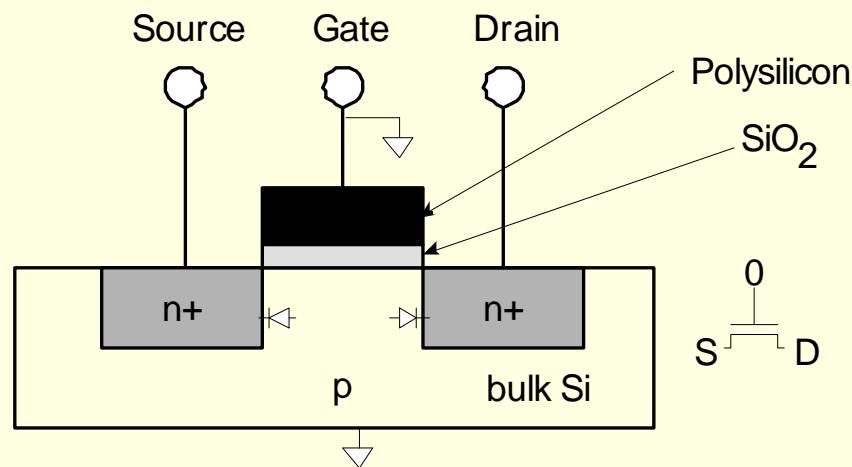
NMOS



PMOS

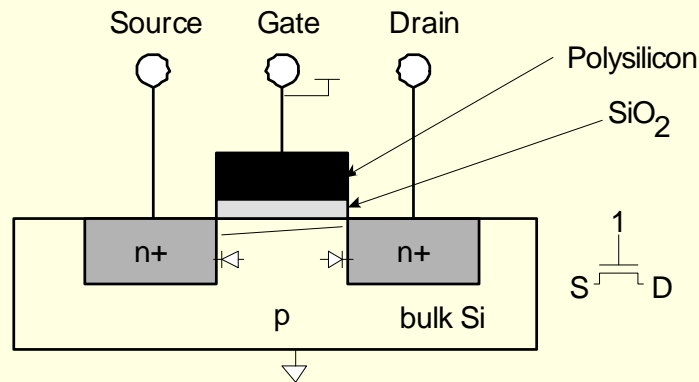
NMOS Operation

- Body is commonly tied to ground (0 V)
- Drain is at a higher voltage than Source
- When the gate is at a low voltage:
 - P-type body is at low voltage
 - Source-body and drain-body “diodes” are OFF
 - No current flows, transistor is OFF



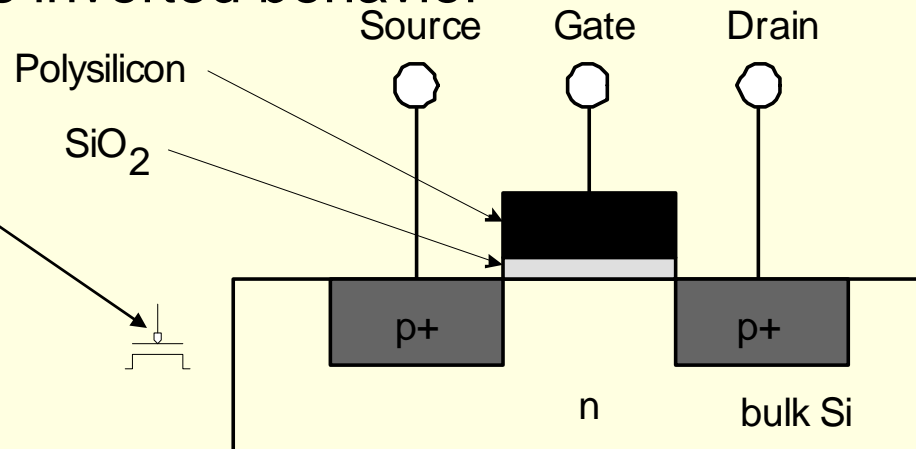
NMOS Operation Cont.

- When the gate is at a high voltage: Positive charge on gate of MOS capacitor
 - Negative charge is attracted to body under the gate
 - Inverts a channel under gate to “n-type” (N-channel, hence called the NMOS) if the gate voltage is above a threshold voltage (V_T)
 - Now current can flow through “n-type” silicon from source through channel to drain, transistor is ON



PMOS Transistor

- Similar, but doping and voltages reversed
 - Body tied to high voltage (V_{DD})
 - Drain is at a lower voltage than the Source
 - Gate low: transistor ON
 - Gate high: transistor OFF
 - Bubble indicates inverted behavior

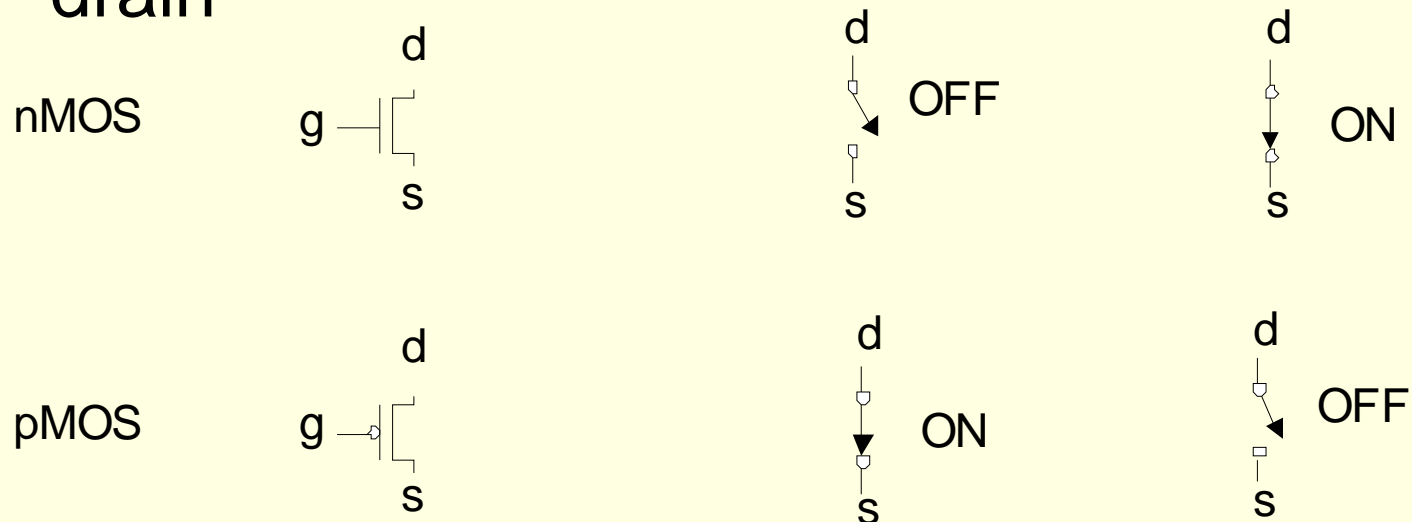


Power Supply Voltage

- $GND = 0\text{ V}$
- In 1980's, $V_{DD} = 5\text{V}$
- V_{DD} has decreased in modern processes
 - High V_{DD} would damage modern tiny transistors
 - Lower V_{DD} saves power
- $V_{DD} = 3.3, 2.5, 1.8, 1.5, 1.2, 1.0,$
- Effective power supply voltage can be lower due
 - to IR drop across the power grid.

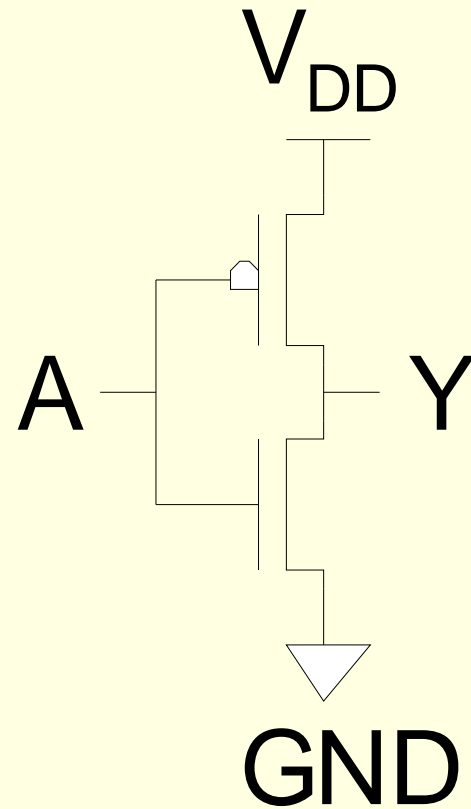
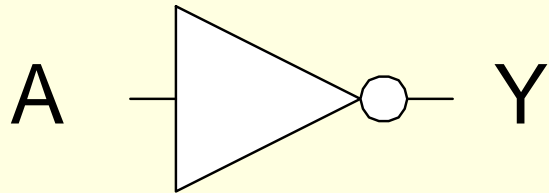
Transistors as Switches

- In Digital circuits, MOS transistors are electrically controlled switches
- Voltage at gate controls path from source to drain



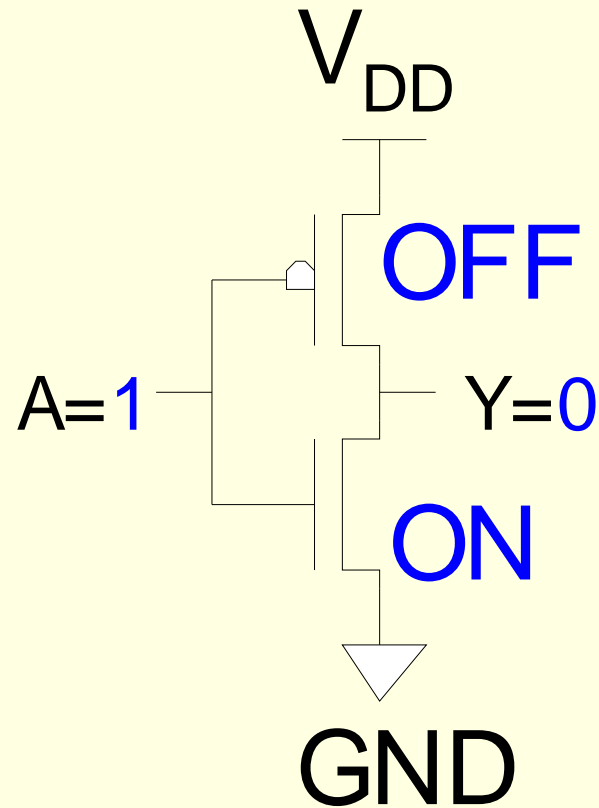
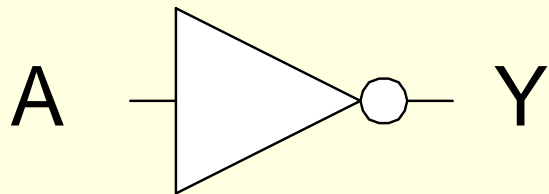
CMOS Inverter

A	Y
0	
1	



CMOS Inverter

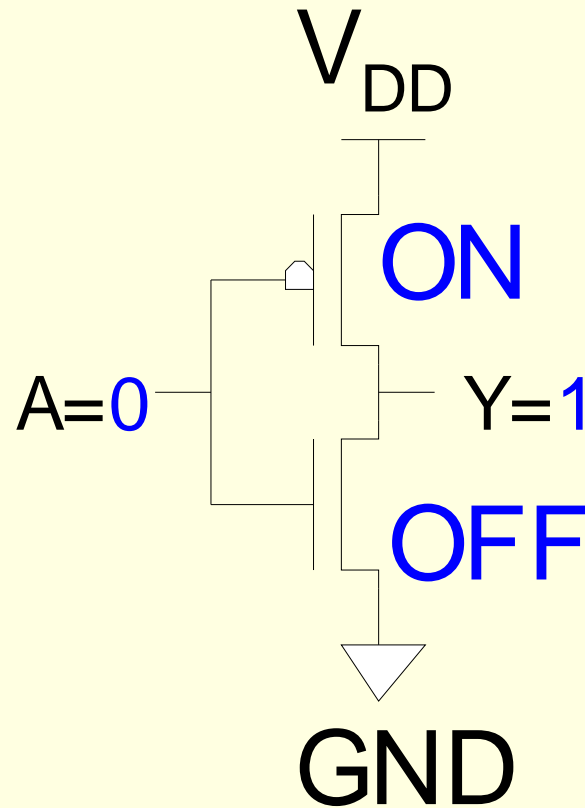
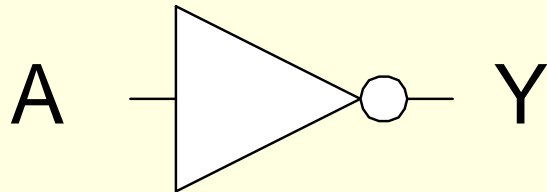
A	Y
0	
1	0



Y is pulled low by the turned on NMOS Device. Hence NMOS is the pull-down device.

CMOS Inverter

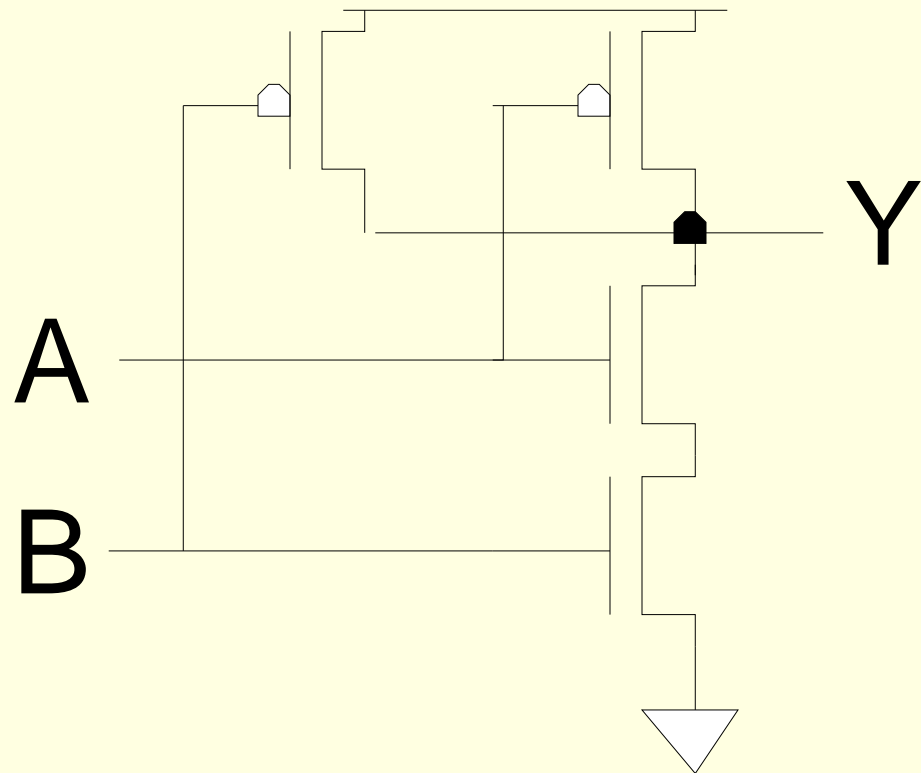
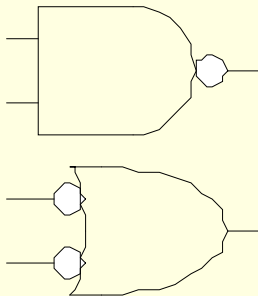
A	Y
0	1
1	0



Y is pulled high by the turned on PMOS Device. Hence PMOS is the pull-up device.

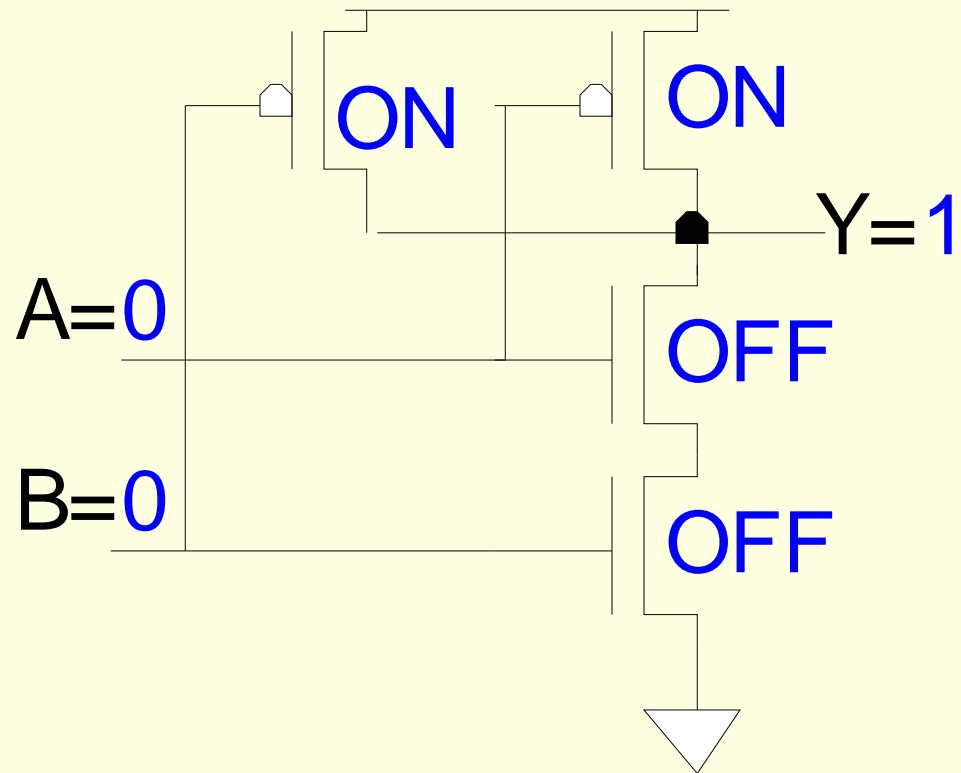
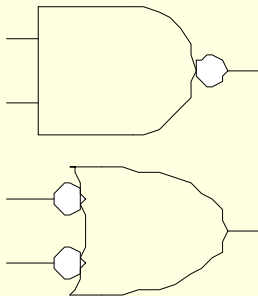
CMOS NAND Gate

A	B	Y
0	0	
0	1	
1	0	
1	1	



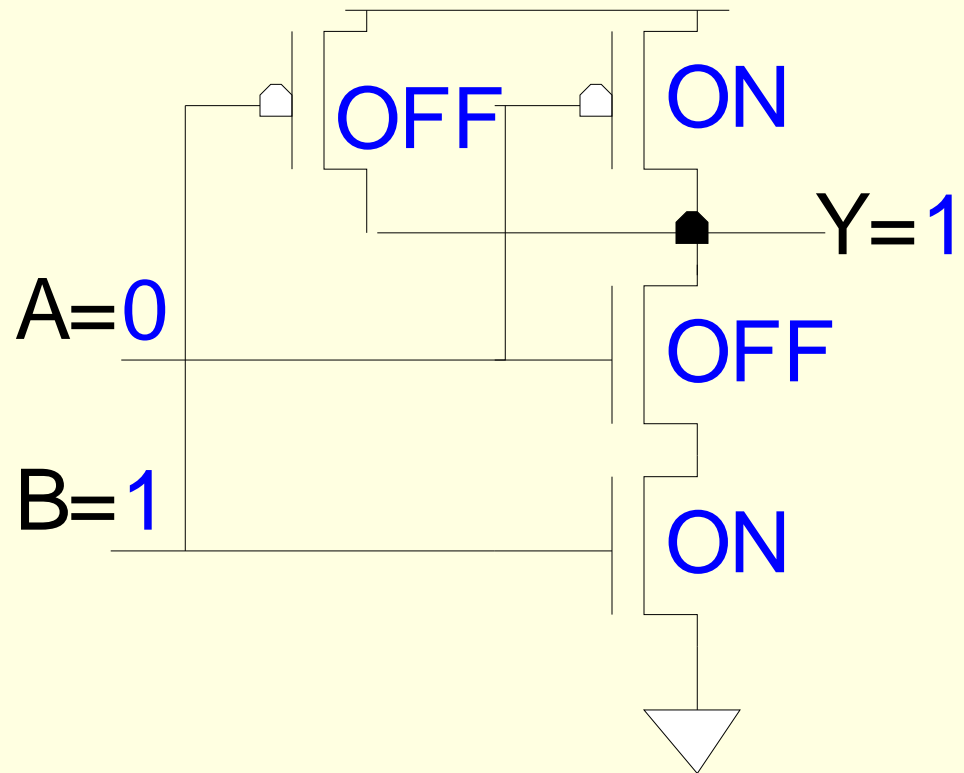
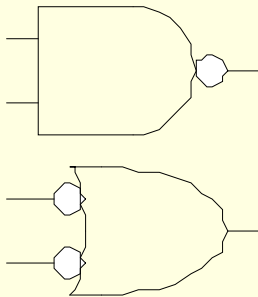
CMOS NAND Gate

A	B	Y
0	0	1
0	1	
1	0	
1	1	



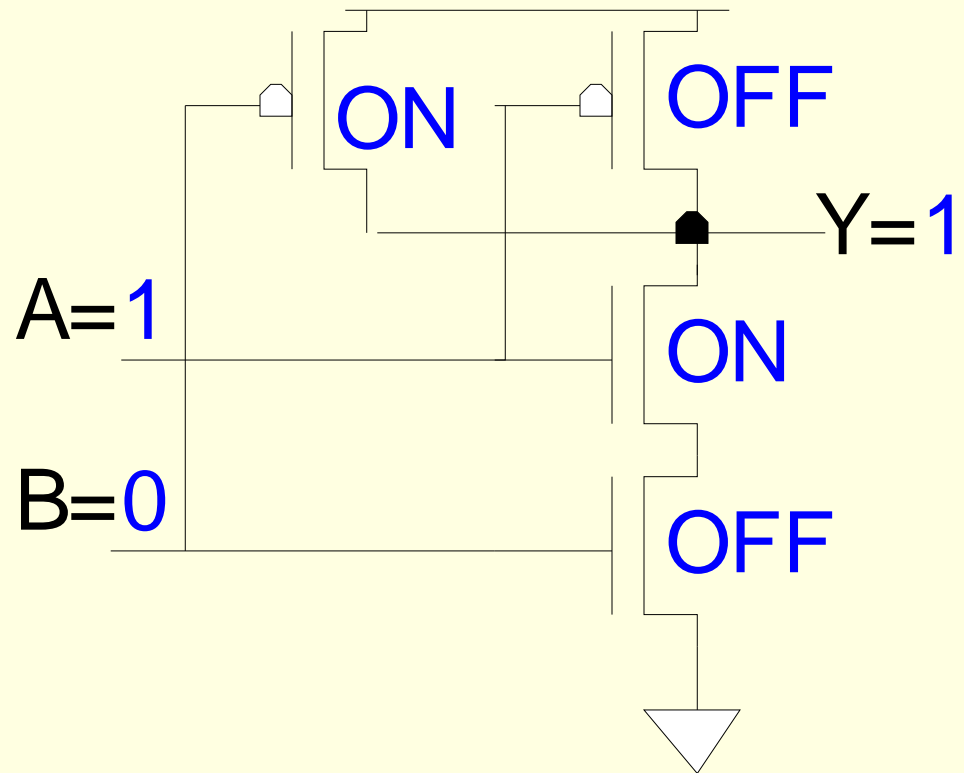
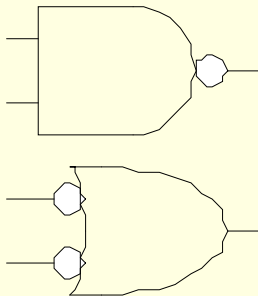
CMOS NAND Gate

A	B	Y
0	0	1
0	1	1
1	0	
1	1	



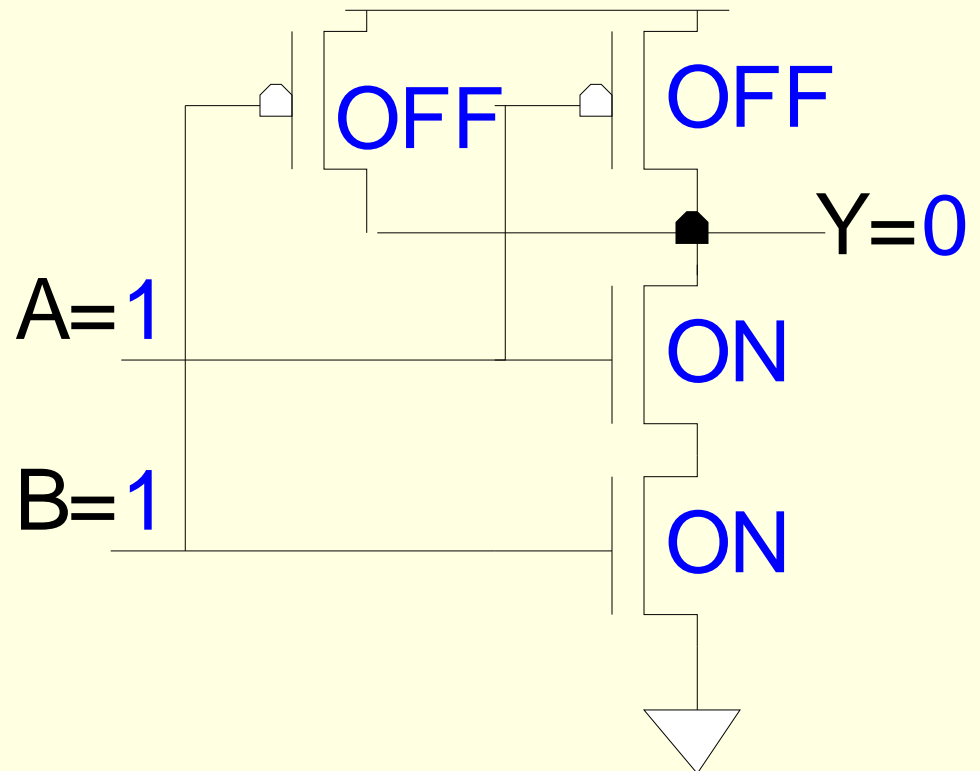
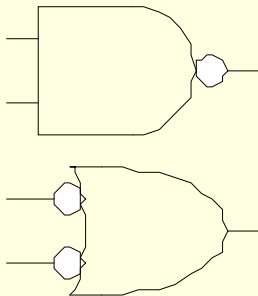
CMOS NAND Gate

A	B	Y
0	0	1
0	1	1
1	0	1
1	1	



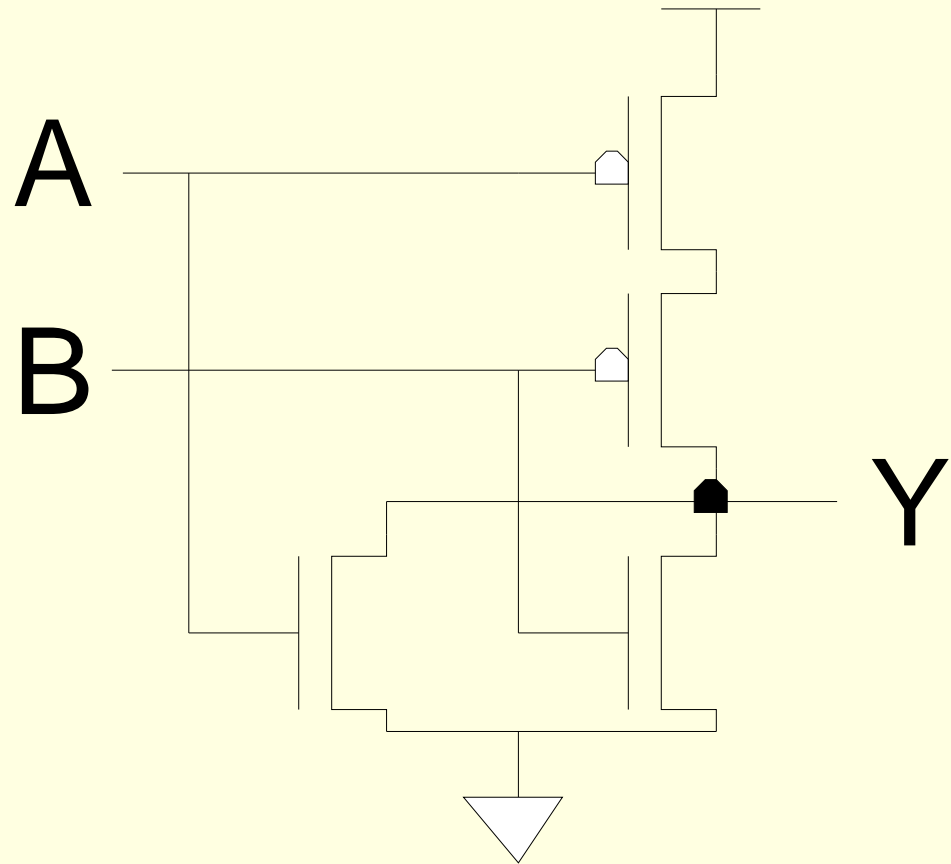
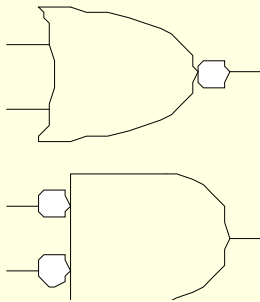
CMOS NAND Gate

A	B	Y
0	0	1
0	1	1
1	0	1
1	1	0



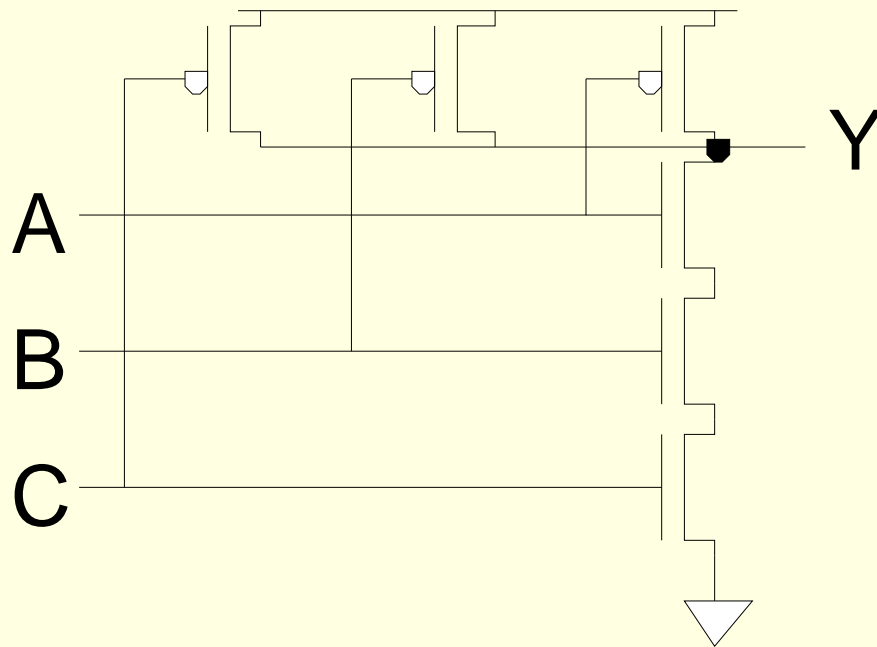
CMOS NOR Gate

A	B	Y
0	0	1
0	1	0
1	0	0
1	1	0



3-input NAND Gate

- Y is pulled low if ALL inputs are 1
- Y is pulled high if ANY input is 0

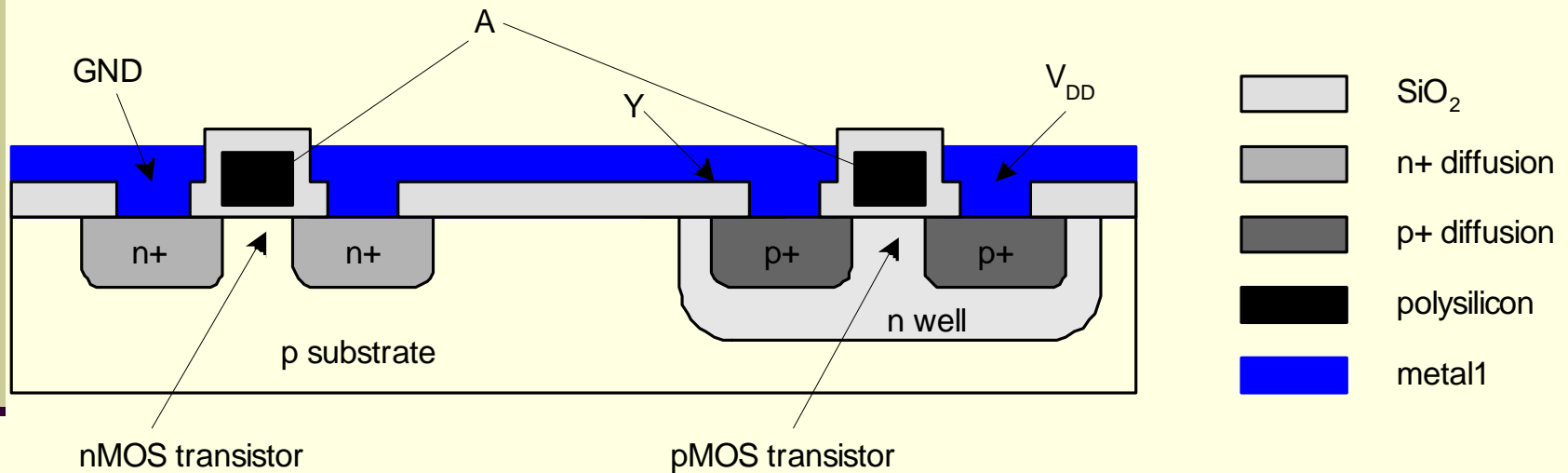


CMOS Fabrication

- CMOS transistors are fabricated on silicon wafer
- Wafers diameters (200-300 mm)
- Lithography process similar to printing press
- On each step, different materials are deposited, or patterned or etched
- Easiest to understand by viewing both top and cross-section of wafer in a simplified manufacturing process

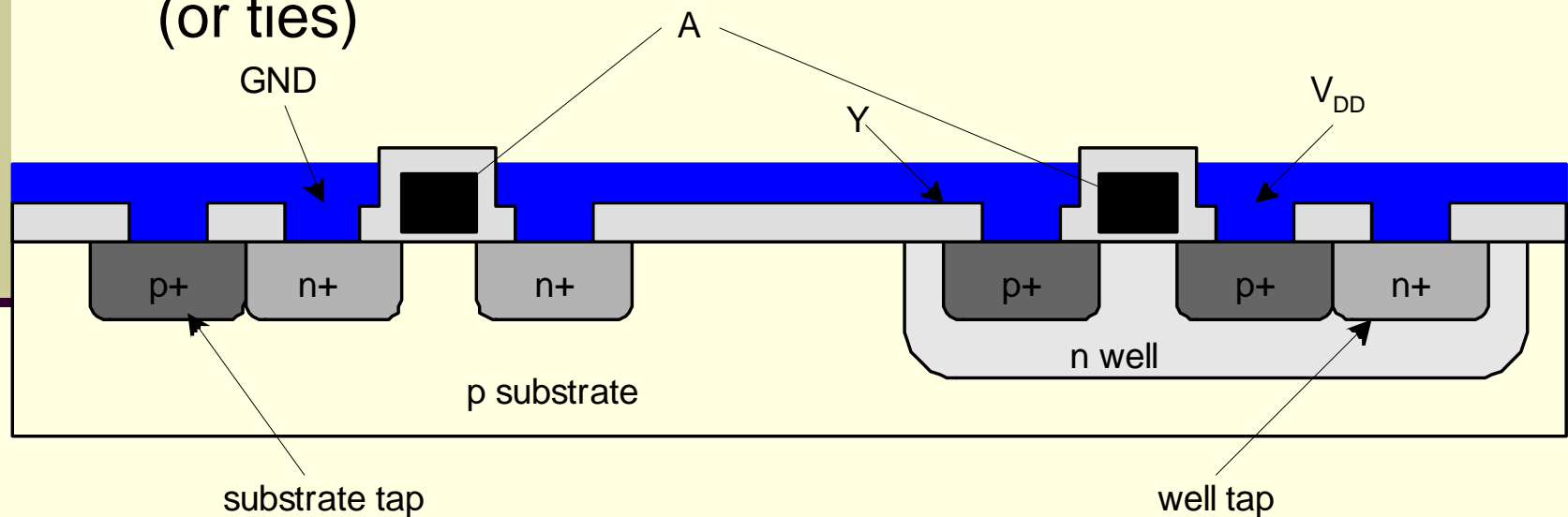
Inverter Cross-section

- Typically use p-type substrate for nMOS transistors
- Requires to make an n-well for body of pMOS transistors



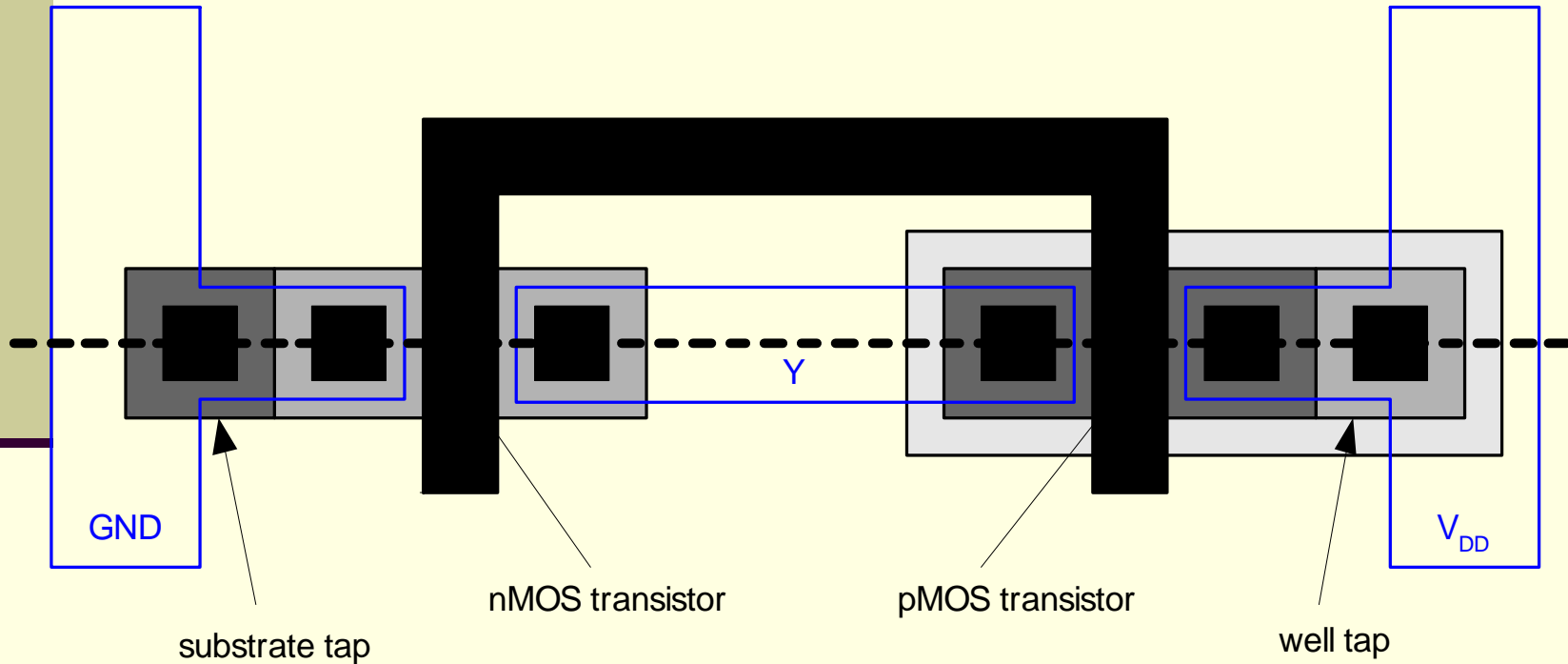
Well and Substrate Taps

- Substrate must be tied to GND and n-well to V_{DD}
- Metal to lightly-doped semiconductor forms poor connection called Schottky Diode
- Use heavily doped well and substrate contacts/taps (or ties)



Inverter Mask Set

- Top view
- Transistors and wires are defined by *masks*
- Cross-section taken along dashed line

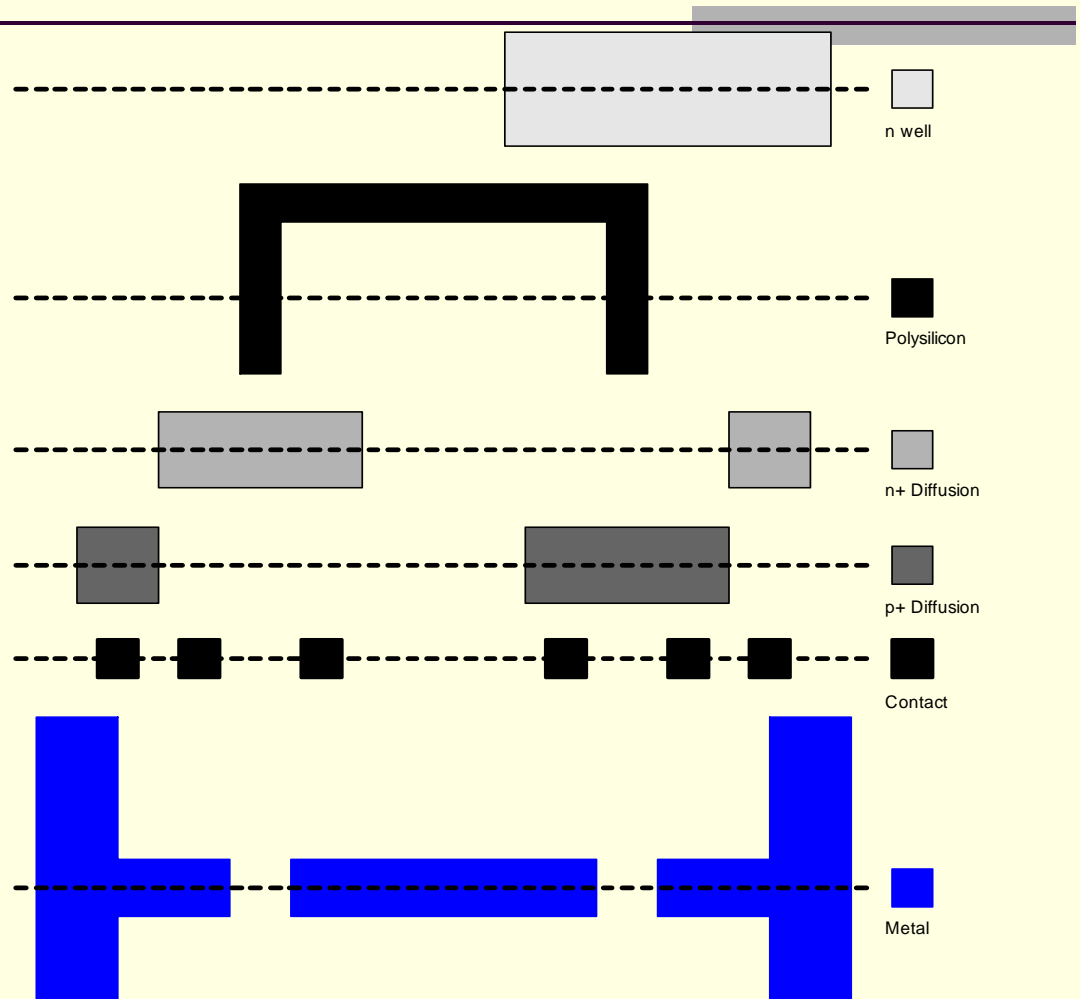


Detailed Mask Views

■ Six masks

- n-well
- Polysilicon
- n+ diffusion
- p+ diffusion
- Contact
- Metal

In reality >40 masks
may be needed



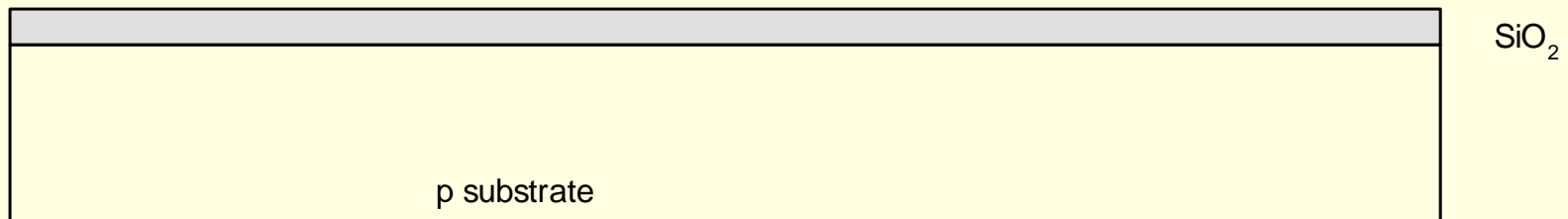
Fabrication Steps

- Start with blank wafer (typically p-type where NMOS is created)
- Build inverter from the bottom up
- First step will be to form the n-well (where PMOS would reside)
 - Cover wafer with protective layer of SiO_2 (oxide)
 - Remove oxide layer where n-well should be built
 - Implant or diffuse n dopants into exposed wafer to form n-well
 - Strip off SiO_2

p substrate

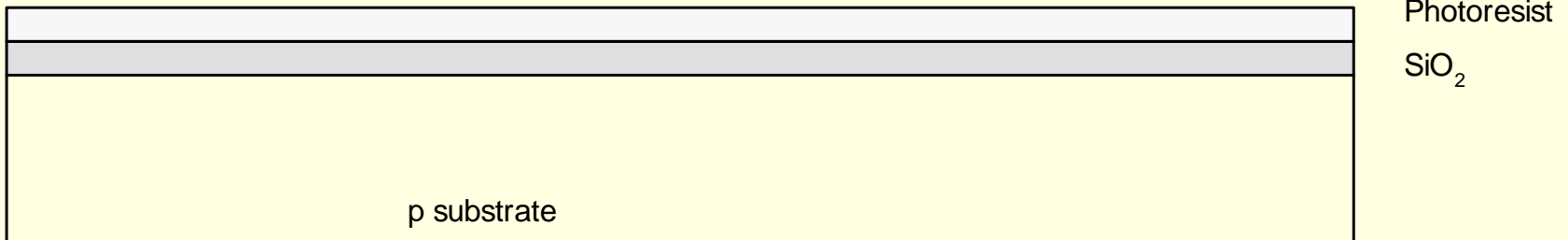
Oxidation

- Grow SiO_2 on top of Si wafer
 - 900 – 1200 C with H_2O or O_2 in oxidation furnace



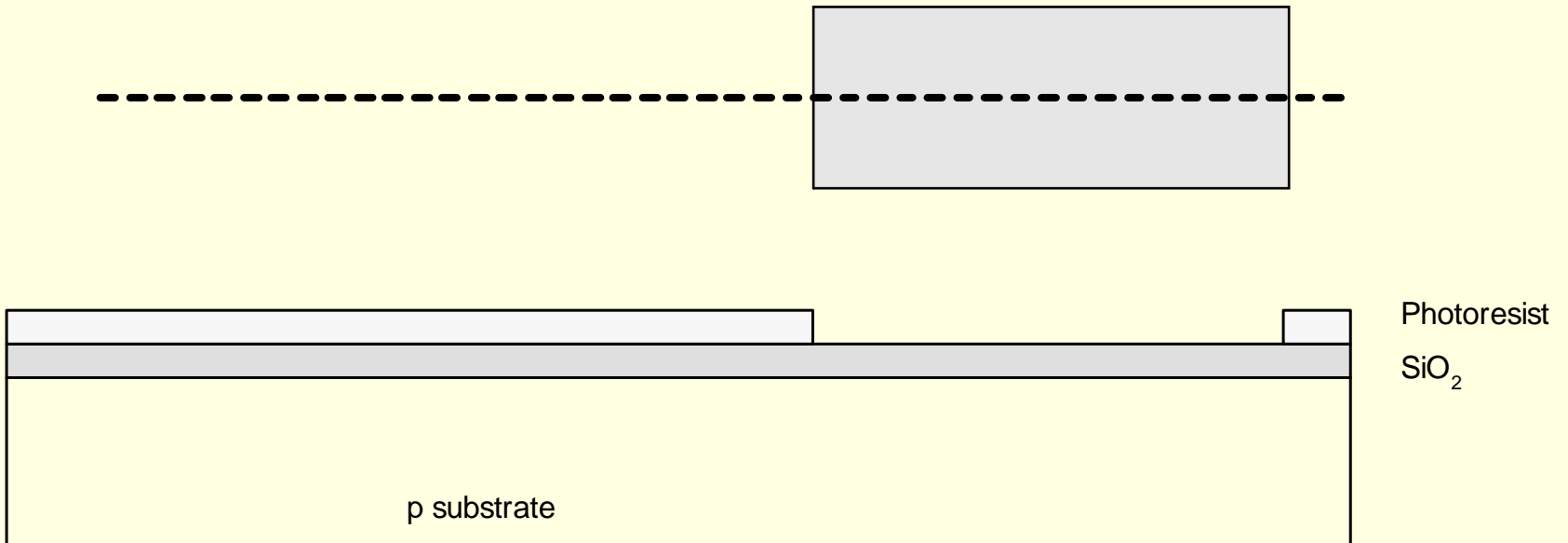
Photoresist

- Spin on photoresist
 - Photoresist is a light-sensitive organic polymer
 - Property changes where exposed to light
- Two types of photoresists (positive or negative)
 - Positive resists can be removed if exposed to UV light
 - Negative resists cannot be removed if exposed to UV light



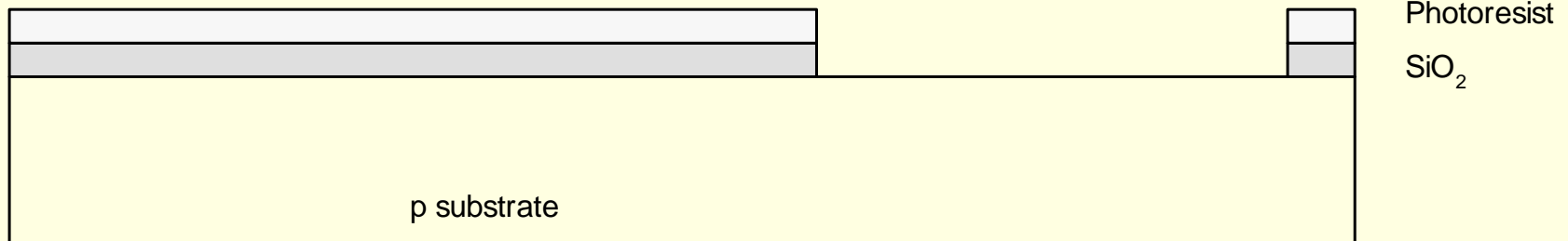
Lithography

- Expose photoresist to Ultra-violet (UV) light through the n-well mask
- Strip off exposed photoresist with chemicals



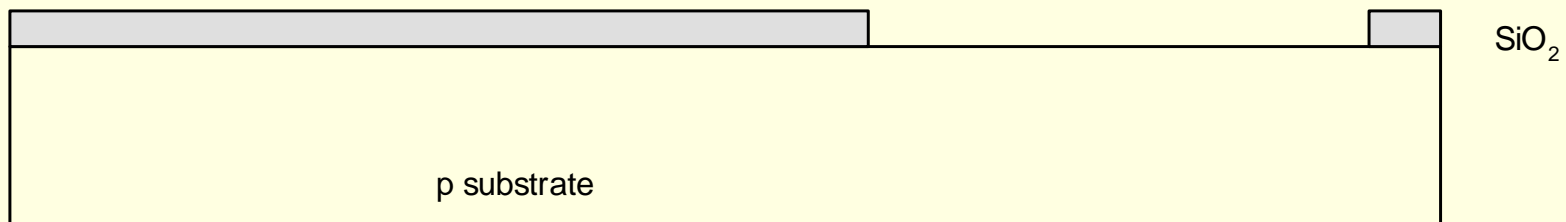
Etch

- Etch oxide with hydrofluoric acid (HF)
 - Seeps through skin and eats bone; nasty stuff!!!
- Only attacks oxide where resist has been exposed
- N-well pattern is transferred from the mask to silicon-di-oxide surface; creates an opening to the silicon surface



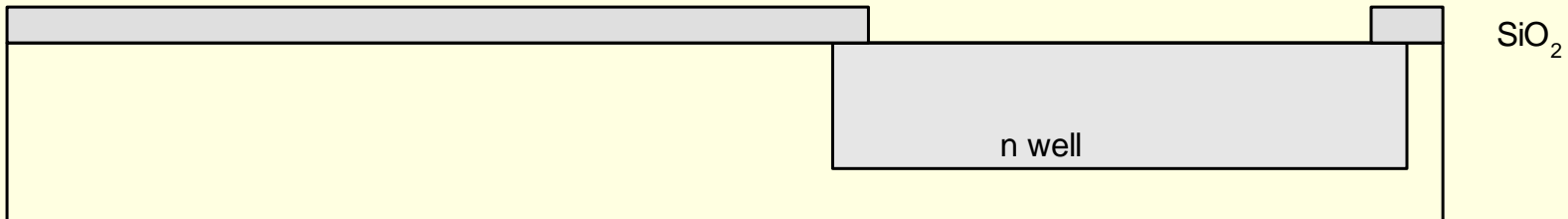
Strip Photoresist

- Strip off remaining photoresist
 - Use mixture of acids called piranha etch
- Necessary so resist doesn't melt in next step



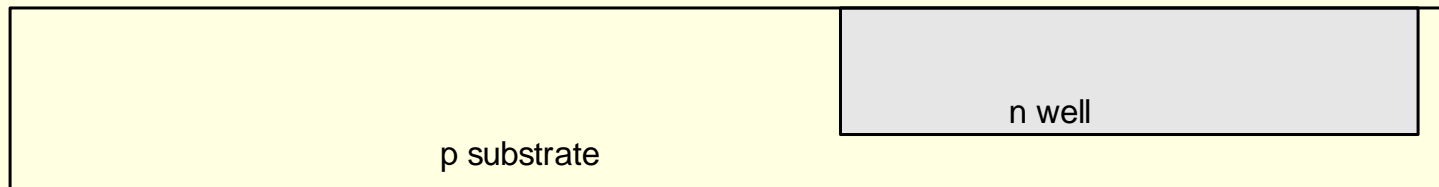
n-well

- n-well is formed with diffusion or ion implantation
- Diffusion
 - Place wafer in furnace with arsenic-rich gas
 - Heat until As atoms diffuse into exposed Si
- Ion Implantation
 - Blast wafer with beam of As ions
 - Ions blocked by SiO_2 , only enter exposed Si
- SiO_2 shields (or masks) areas which remain p-type



Strip Oxide

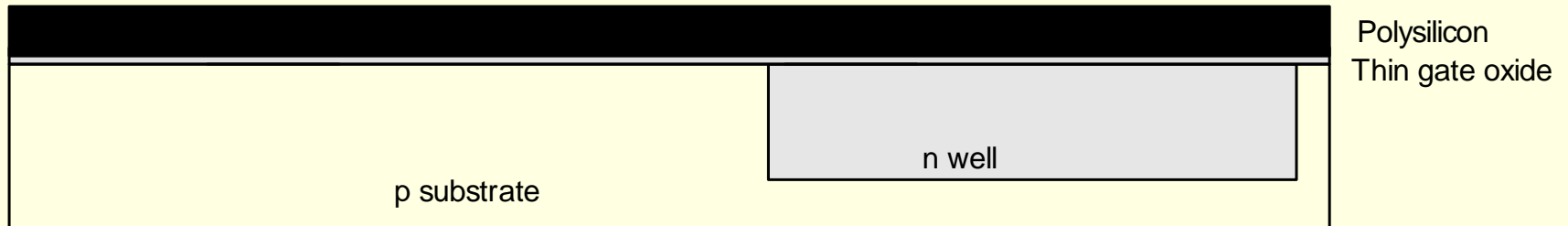
- Strip off the remaining oxide using HF
- Back to bare wafer with n-well
- Subsequent steps involve similar series of steps



Polysilicon

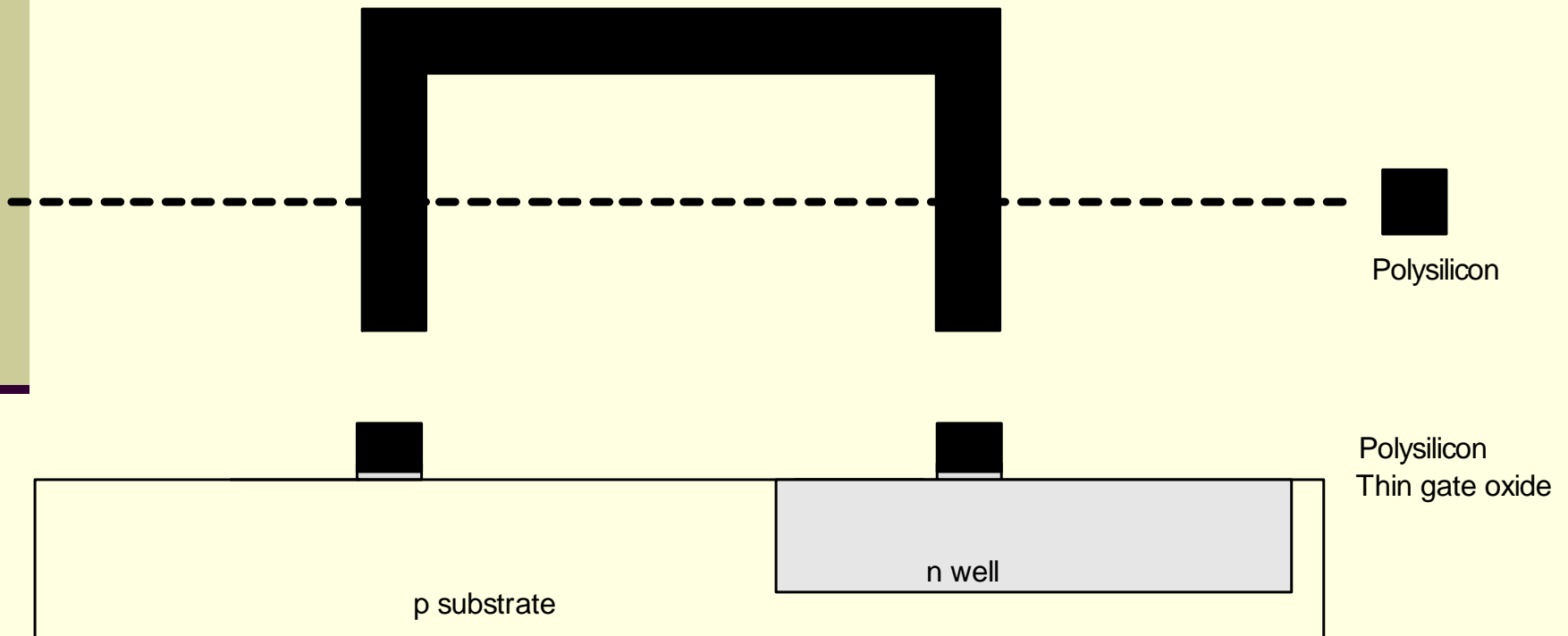
(self-aligned gate technology)

- Deposit very thin layer of gate oxide
 - $< 20 \text{ \AA}$ (6-7 atomic layers)
- Chemical Vapor Deposition (CVD) of silicon layer
 - Place wafer in furnace with Silane gas (SiH_4)
 - Forms many small crystals called polysilicon
 - Heavily doped to be good conductor



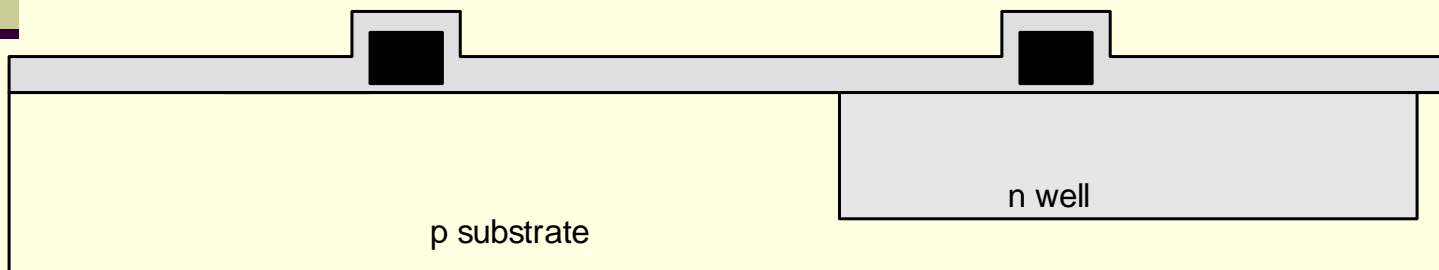
Polysilicon Patterning

- Use same lithography process discussed earlier to pattern polysilicon



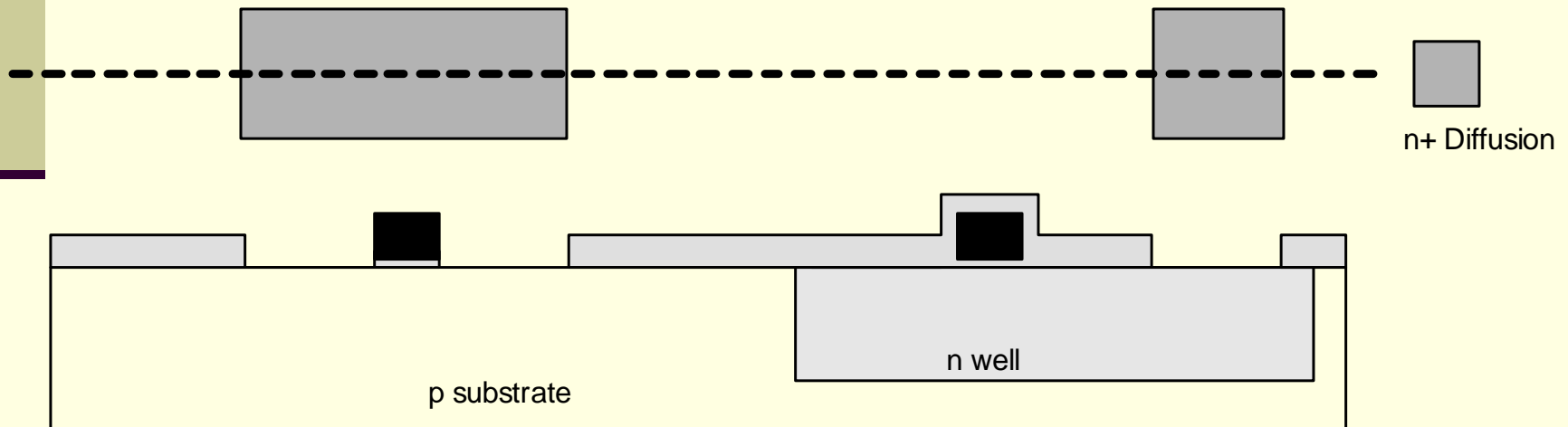
Self-Aligned Process

- Use gate-oxide/polysilicon and masking to expose where n+ dopants should be diffused or implanted
- N-diffusion forms nMOS source, drain, and n-well contact



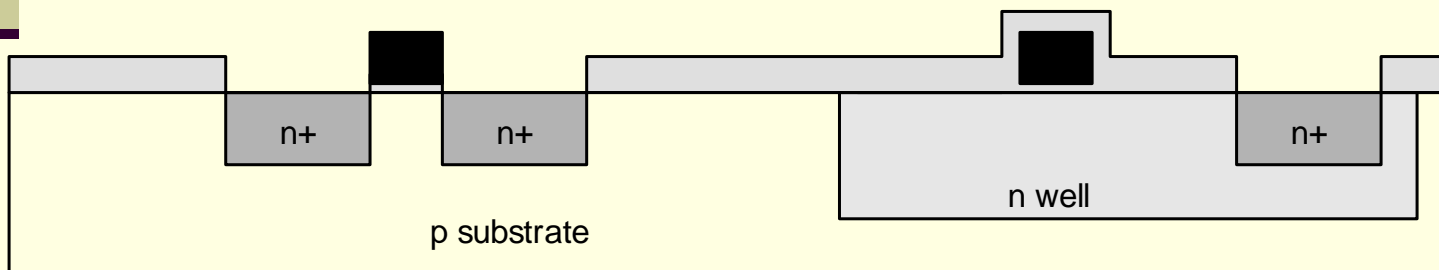
N-diffusion/implantation

- Pattern oxide and form n+ regions
- *Self-aligned process* where gate blocks n-dopants
- Polysilicon is better than metal for self-aligned gates because it doesn't melt during later processing



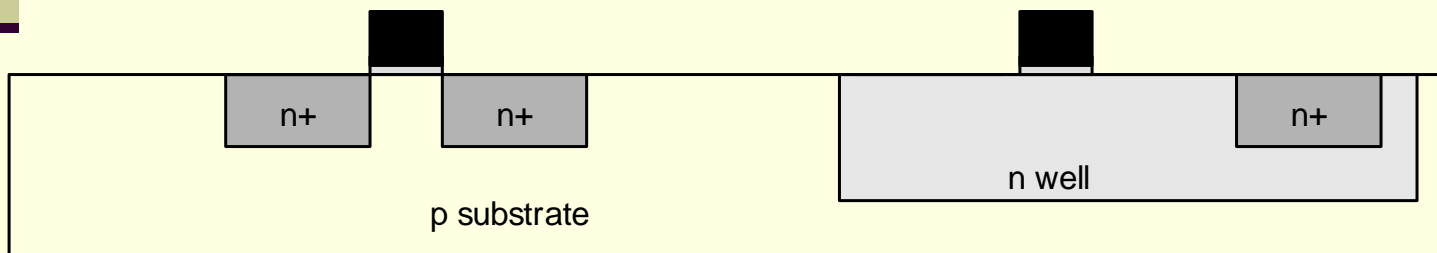
N-diffusion/implantation cont.

- Historically dopants were diffused
- Usually high energy ion-implantation used today
- But n+ regions are still called diffusion



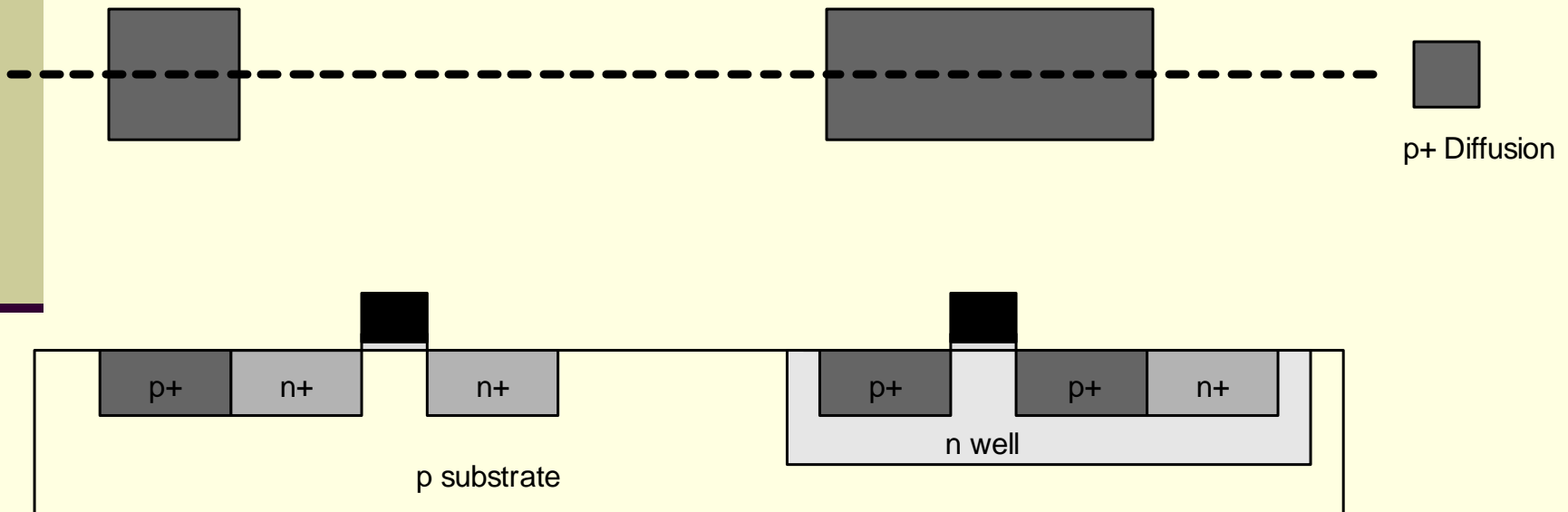
N-diffusion cont.

- Strip off oxide to complete patterning step



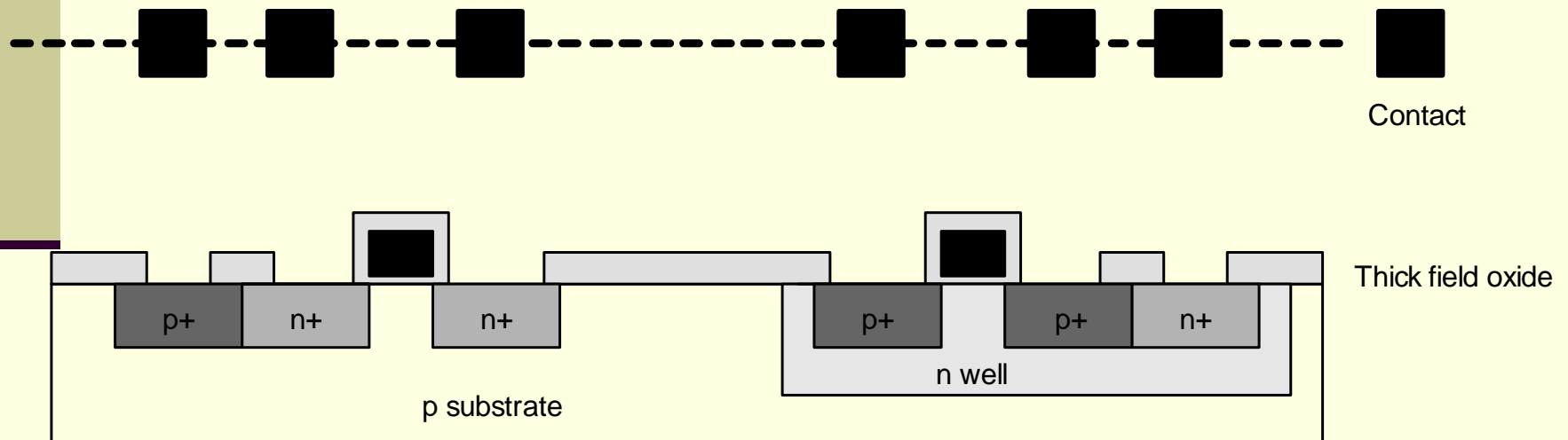
P-Diffusion/implantation

- Similar set of steps form p+ “diffusion” regions for PMOS source and drain and substrate contact



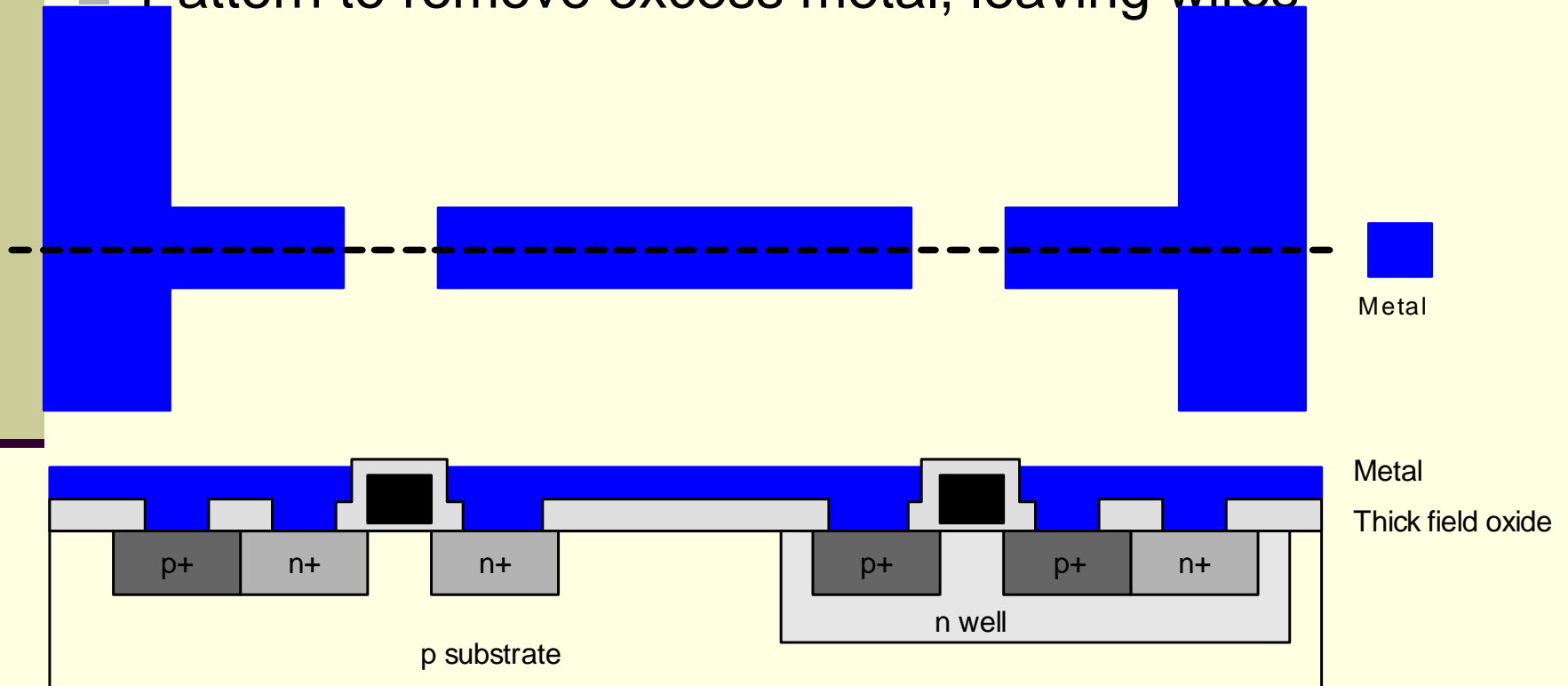
Contacts

- Now we need to wire together the devices
- Cover chip with thick field oxide (FO)
- Etch oxide where contact cuts are needed



Metalization

- Sputter on aluminum over whole wafer
- Copper is used in newer technology
- Pattern to remove excess metal, leaving wires

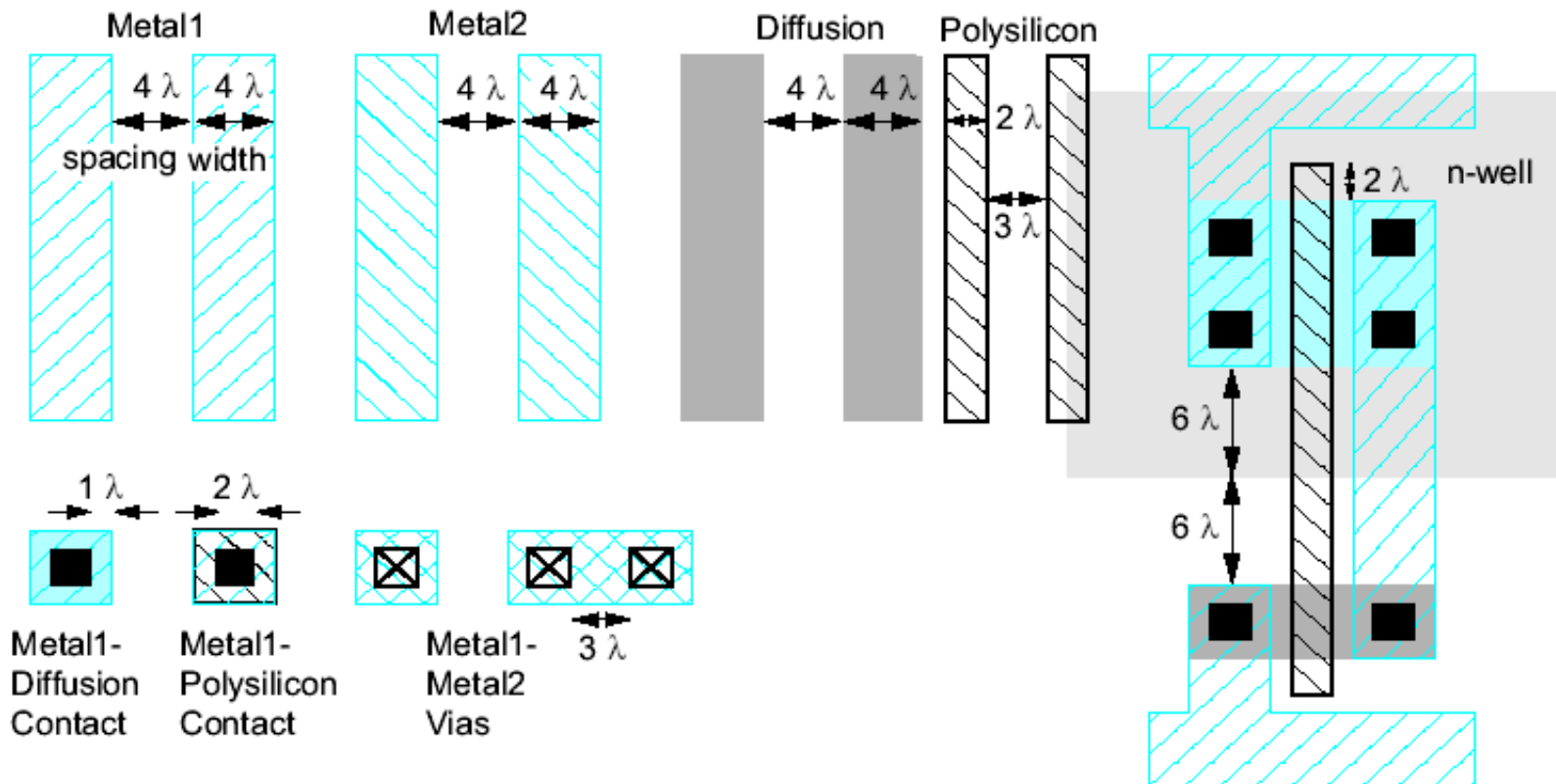


Physical Layout

- Chips are specified with set of masks
- Minimum dimensions of masks determine transistor size (and hence speed, cost, and power)
- Feature size f = distance between source and drain
 - Set by minimum width of polysilicon
- Feature size improves 30% every 3 years or so
- Normalize for feature size when describing design rules
- Express rules in terms of $\lambda = f/2$
 - E.g. $\lambda = 0.3 \mu\text{m}$ in $0.6 \mu\text{m}$ process

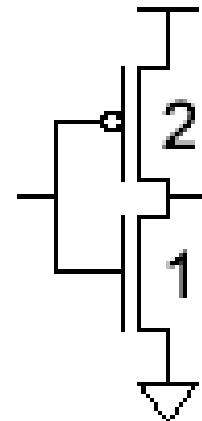
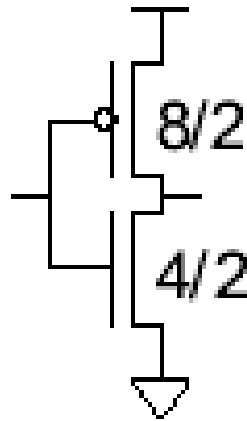
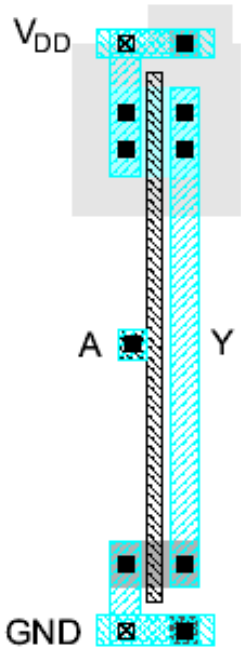
Simplified Design Rules

- Conservative rules to get you started



Inverter Layout

- Transistor dimensions specified as Width / Length
 - Minimum size is $4-6\lambda / 2\lambda$, sometimes called 1 unit
 - In $f = 0.25 \mu\text{m}$ process, this is $0.5-0.75 \mu\text{m}$ wide (W), $0.25 \mu\text{m}$ long (L)
 - Since $\lambda = f/2$, $\lambda = 0.125 \mu\text{m}$.



The Future?

International Technology Roadmap for Semiconductors

Table B ITRS Table Structure—Key Lithography-related Characteristics by Product Type

Near-term Years

<i>YEAR OF PRODUCTION</i>	<i>2003</i>	<i>2004</i>	<i>2005</i>	<i>2006</i>	<i>2007</i>	<i>2008</i>	<i>2009</i>
<i>Technology Node</i>		hp90			hp65		
<i>DRAM ½ Pitch (nm)</i>	100	90	80	70	65	57	50
<i>MPU/ASIC M1 ½ Pitch (nm)</i>	120	107	95	85	75	67	60
<i>MPU/ASIC Poly Si ½ Pitch (nm)</i>	107	90	80	70	65	57	50
<i>MPU Printed Gate Length (nm)</i>	65	53	45	40	35	32	28
<i>MPU Physical Gate Length (nm)</i>	45	37	32	28	25	22	20

Long-term Years

<i>YEAR OF PRODUCTION</i>	<i>2010</i>	<i>2012</i>	<i>2013</i>	<i>2015</i>	<i>2016</i>	<i>2018</i>
<i>Technology Node</i>	hp45		hp32		hp22	
<i>DRAM ½ Pitch (nm)</i>	45	35	32	25	22	18
<i>MPU/ASIC M1 ½ Pitch (nm)</i>	54	42	38	30	27	21
<i>MPU/ASIC Poly Si ½ Pitch (nm)</i>	45	35	32	25	22	18
<i>MPU Printed Gate Length (nm)</i>	25	20	18	14	13	10
<i>MPU Physical Gate Length (nm)</i>	18	14	13	10	9	7

The ORTC and technology requirements tables are intended to indicate current best estimates of introduction timing for specific technology requirements. Please refer to the [Glossary](#) for detailed definitions for Year of Introduction and Year of Production.

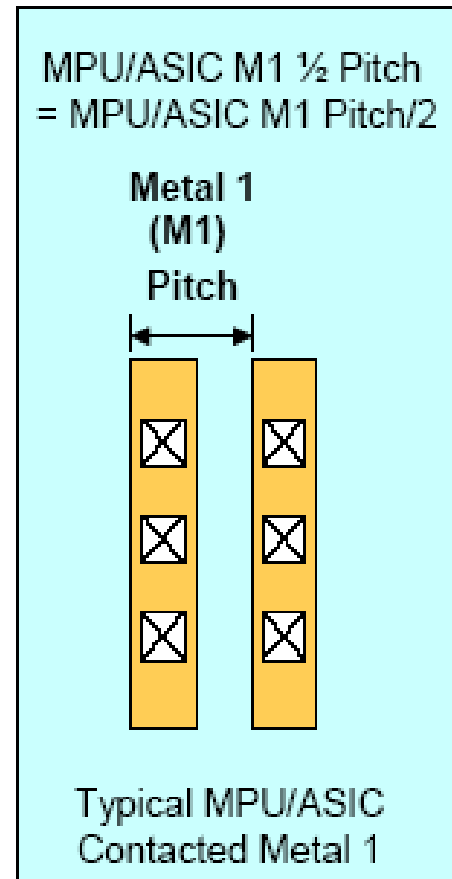
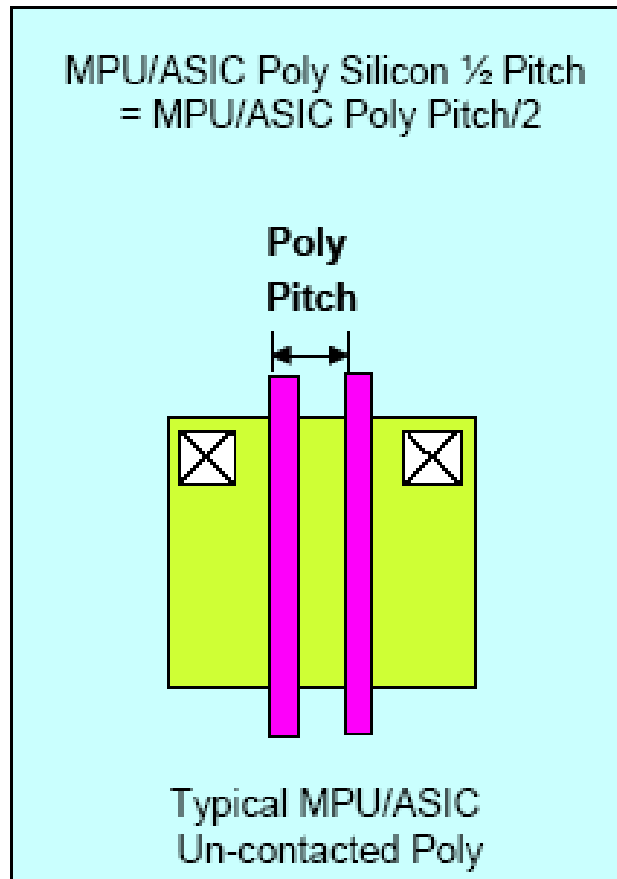
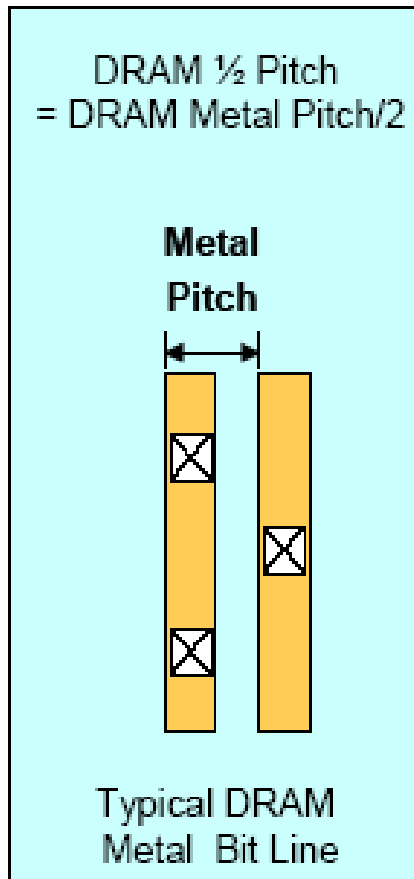


Figure 4 Definition of Metal Half Pitch

2003 ITRS Technology Trends - 1/2 Pitch

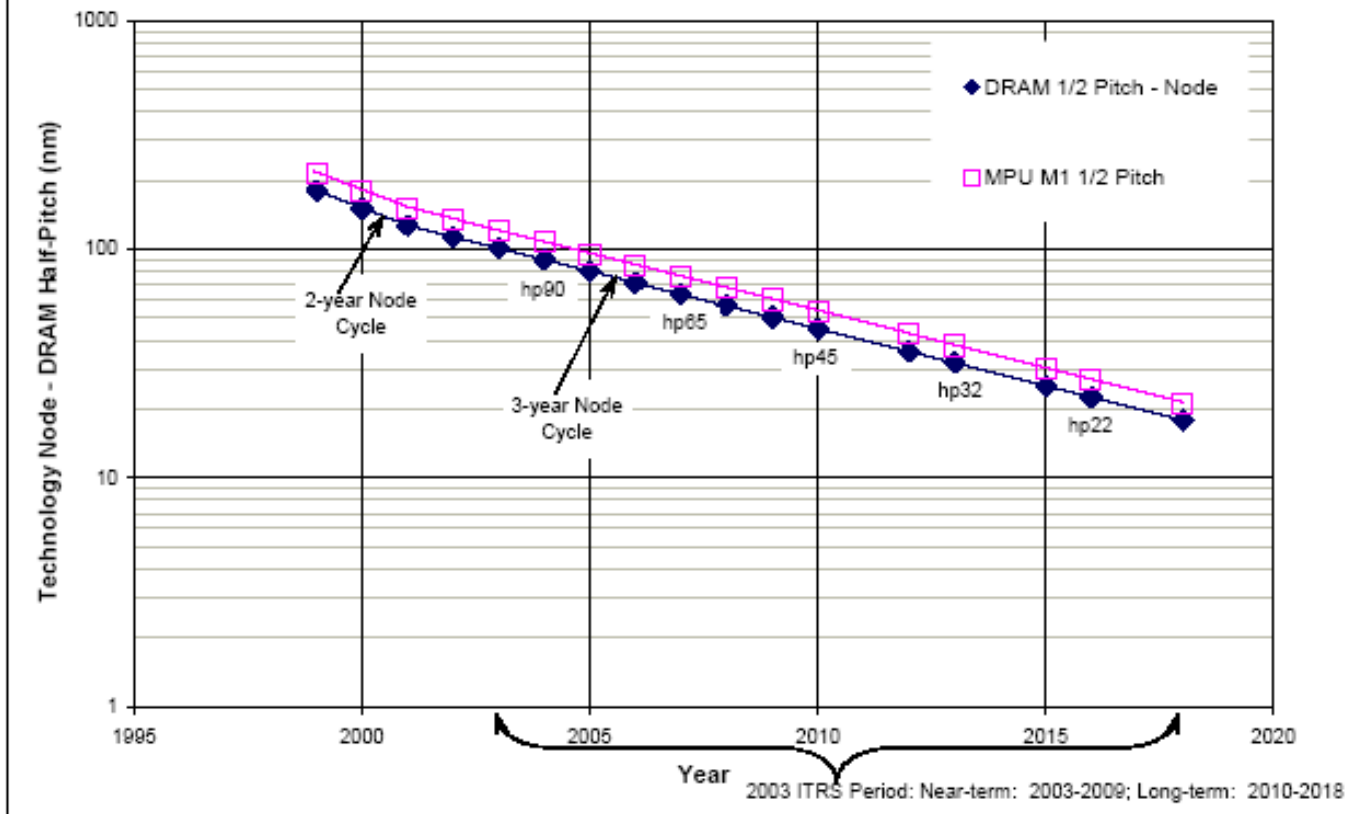


Figure 7 2003 ITRS—Half Pitch Trends

Summary

- MOS Transistors are stack of gate, oxide, silicon and p-n junctions
- Can be viewed as electrically controlled switches
- Build logic gates out of switches
- Draw masks to specify layout of transistors
- Now you know everything necessary to start designing schematics and layout for a simple chip!